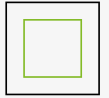




Ten²

DRAWER
EVOLUTION



CONTAINING



CARLO
CASAGRANDE & CO

Changing spaces into special places

Content

- 04 - REASONS TO CHOOSE TEN²
- 06 - TEN² DRAWER H90
- 08 - TEN² DRAWER H180
- 10 - TEN² SLIDES
- 12 - TEN² ONETOUCH+SLOWMOTION TECHNOLOGY
- 14 - TEN² STEEL BACK PANELS
- 16 - TEN² BACK FIXINGS FOR WOODEN BACK PANEL
- 18 - TEN² RECTANGULAR RAILING SYSTEM
- 20 - TEN² IN INTERNAL DRAWER ALUMINIUM FRONT
- 22 - TEN² ACQUARIO UNDERSINK SOLUTION
- 24 - ACCESSORIES
- 28 - INSTRUCTIONS OF USE
- 35 - TEN² MACHINES



Ten²

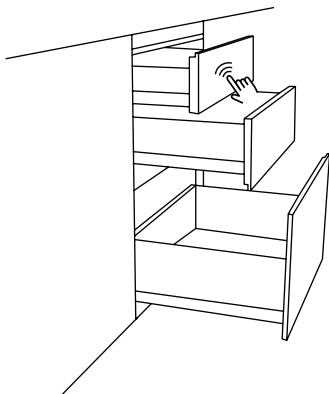


MOTION AT ITS BEST

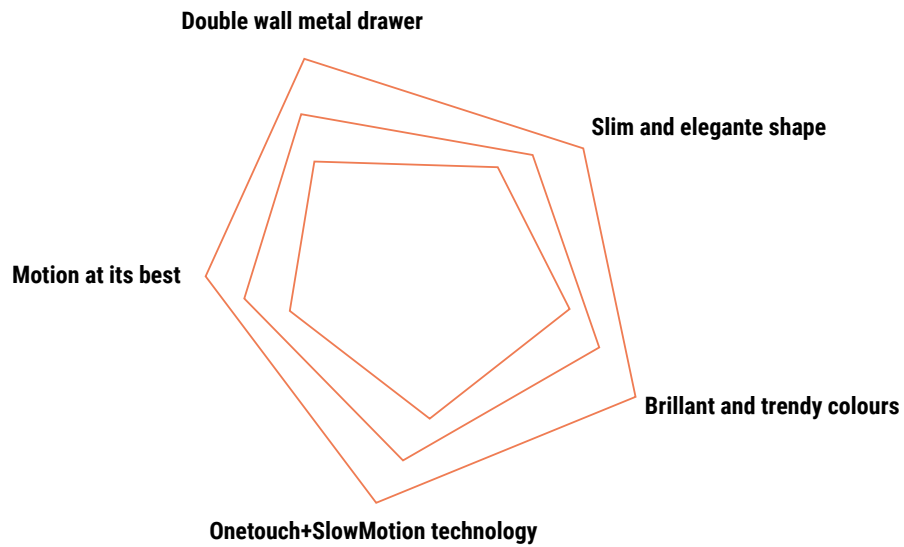
Further improvements on the Ten² slides guarantee better performance according to soft sliding movement and high stability. The full extension sliding system with a load capacity of 45kg throughout the range, is equipped with Dual-Synchro stabilisation for noiseless and a new powerful SlowMotion damper for perfect operation and long lasting function.

ONETOUCH+SLOWMOTION TECHNOLOGY

Never so easy to open and close a drawer with the new OneTouch+SlowMotion System. A completely hidden mechanism that ensures, with a gentle press on the front, a perfect and silent opening and soft closing. Depth adjustment on both sides guarantees precise front gap regulation. Easy to install, no cables or electricity required.



PERFORMANCE



A QUALITY RANGE

Ten² is the a high quality and high performance double wall drawer technology with extra slim shape. A complete product range covers all usual applications with clever solutions, Italian design and elegance.



DETAILS THAT MAKE A DIFFERENCE

Ten² is a synonymous of state-of-the-art conception, use of environmental friendly materials and production solutions standing for a fulfilment of the highest criteria where every detail counts.



Ten² Drawer H90



Technical Specifications:

- Double wall steel drawer height 90 mm with slim shape
- Large range of depth from 270 to 500 mm
- 45kg of load capacity all over the range
- Bottom fixing via ClawFix or screws without processing on the panel
- Steel front fixing mechanism available with screws or dowels for strong and secure fixing
- Vertical and horizontal adjustment in the front fixing mechanism
- Decorative cover cap with possibility of customisation
- Metal epoxy finish in two colours: Anthracite for high end look and perfect match for wooden and modern finishes and Polar White for a linear and clean look
- Strong design features and state-of-the-art technology

Ten² sides H90

Code	Description	PG
58Y0A0F1270A010	TEN2 SIDE 270 H90 WHITE	0346
58Y0A0F1350A010	TEN2 SIDE 350 H90 WHITE	0346
58Y0A0F1400A010	TEN2 SIDE 400 H90 WHITE	0346
58Y0A0F1450A010	TEN2 SIDE 450 H90 WHITE	0346
58Y0A0F1500A010	TEN2 SIDE 500 H90 WHITE	0346
58Y0A0S8270A010	TEN2 SIDE 270 MATALA H90 ANTHRASITE	0347
58Y0A0S8350A010	TEN2 SIDE 350 MATALA H90 ANTHRASITE	0347
58Y0S0S8400A010	TEN2 SIDE 400 MATALA H90 ANTHRASITE	0347
58Y0A0S8450A010	TEN2 SIDE 450 MATALA H90 ANTHRASITE	0347
58Y0A0S8500A010	TEN2 SIDE 500 MATALA H90 ANTHRASITE	0347

Unit: 1 pair
Packaging: 10 pairs

Code	Description	PG
58YM00F1000000N	TEN2 COVER CAP WHITE	0350
58YM00S8000000N	TEN2 COVER CAP ANTHRASITE	0350

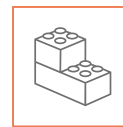
Unit: 1 pc
Packaging: 1000 pcs



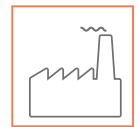
SLOWMOTION



ONETOUCH



EASY ASSEMBLY



PERFECT INDUSTRIALISATION

Code	Description	PG
58AY10070000000	TEN2 FRONT BRACKET FOR SELF-TAP SCREW	0350
58AY30070000000	TEN2 FRONT BRACKET WITH 10MM X-PANDO	0350

Unit: 1 pc
Packaging: 200 pcs

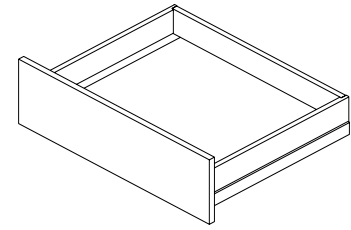
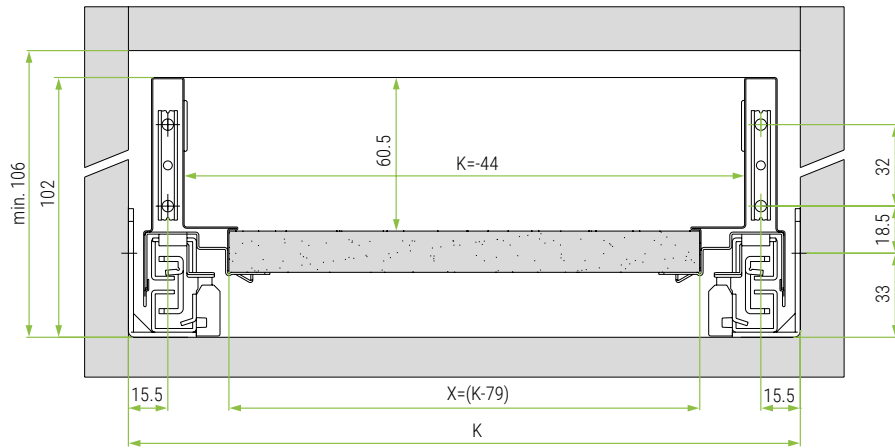


Front brackets for self-tapping screws

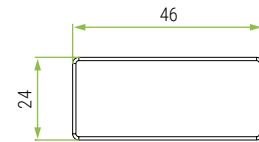


Front brackets with 10 mm expanding dowels

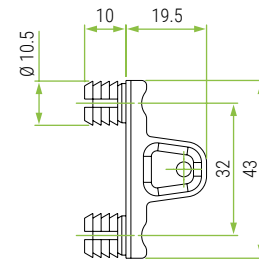
Front drilling & dimensions



Cover cap

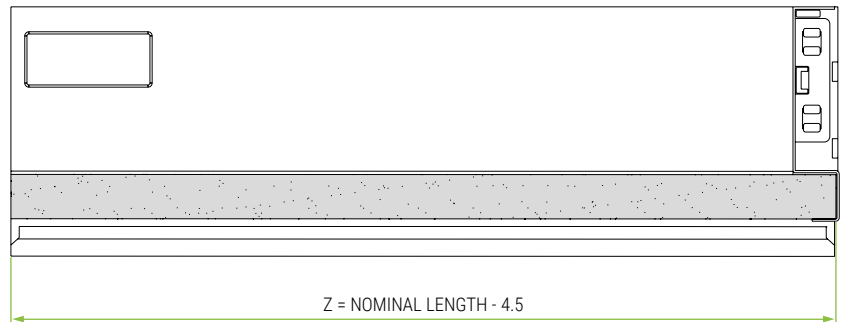
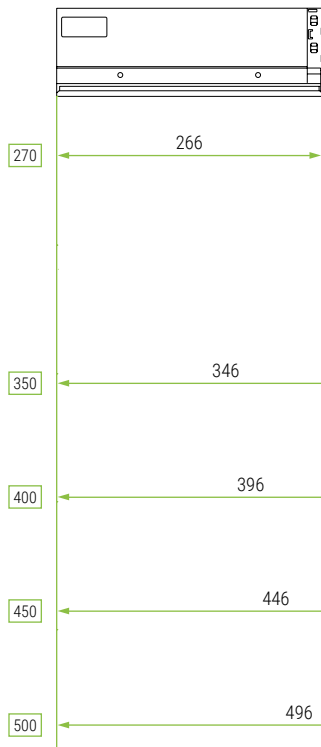


Front bracket with 10 mm dowels

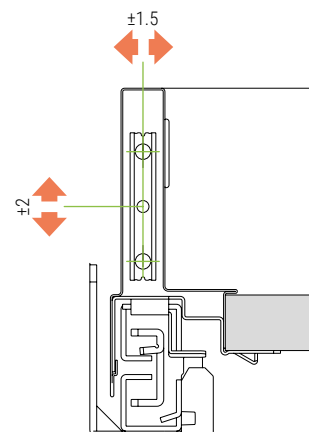


X	Bottom panel width
K	Internal cabinet width
Z	Bottom panel length

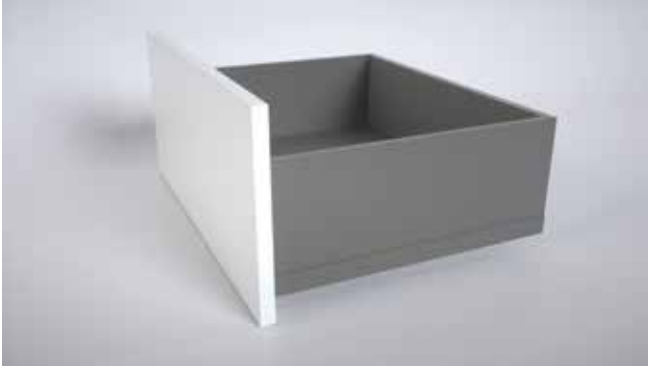
Drawer side dimensions



Adjustments



Ten² Drawer H180



Technical Specifications:

- Double wall steel drawer height 180 mm with slim shape
- Large range of depth from 270 to 500 mm
- 45kg of load capacity all over the range
- Bottom fixing via ClawFix or screws without processing on the panel
- Steel front fixing mechanism available with screws or dowels for strong and secure fixing
- Vertical and horizontal adjustment in the front fixing mechanism
- Decorative cover cap with possibility of customisation
- Metal epoxy finish in two colours: Anthrasite for high end look and perfect match for wooden and modern finishes and Polar White for a linear and clean look
- Strong design features and state-of-the-art technology

Ten² sides H180

Code	Description	PG
58Y0S0F1270A010	TEN2 SIDE 270 HIGH H180 WHITE	0346
58Y0S0F1350A010	TEN2 SIDE 350 HIGH H180 WHITE	0346
58Y0S0F1400A010	TEN2 SIDE 400 HIGH H180 WHITE	0346
58Y0S0F1450A010	TEN2 SIDE 450 HIGH H180 WHITE	0346
58Y0S0F1500A010	TEN2 SIDE 500 HIGH H180 WHITE	0346
58Y0S0S8270A010	TEN2 SIDE 270 HIGH H180 ANTHRASITE	0347
58Y0S0S8350A010	TEN2 SIDE 350 HIGH H180 ANTHRASITE	0347
58Y0S0S8400A010	TEN2 SIDE 400 HIGH H180 ANTHRASITE	0347
58Y0S0S8450A010	TEN2 SIDE 450 HIGH H180 ANTHRASITE	0347
58Y0S0S8500A010	TEN2 SIDE 500 HIGH H180 ANTHRASITE	0347

Unit: 1 pair
Packaging: 10 pairs

Code	Description	PG
58YM00F1000000N	TEN2 COVER CAP WHITE	0350
58YM00S8000000N	TEN2 COVER CAP ANTHRASITE	0350

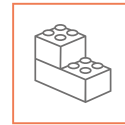
Unit: 1 pc
Packaging: 1000 pcs



SLOWMOTION



ONETOUCH



EASY ASSEMBLY



PERFECT INDUSTRIALISATION

Koodi	Description	PG
58AY10070000000	TEN2 FRONT BRACKET FOR SELF-TAP. SCREW	0350
58AY30070000000	TEN2 FRONT BRACKET WITH 10MM X-PANDO	0350

Unit: 1 pc
Packaging: 200 pcs

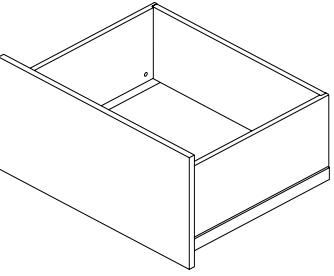
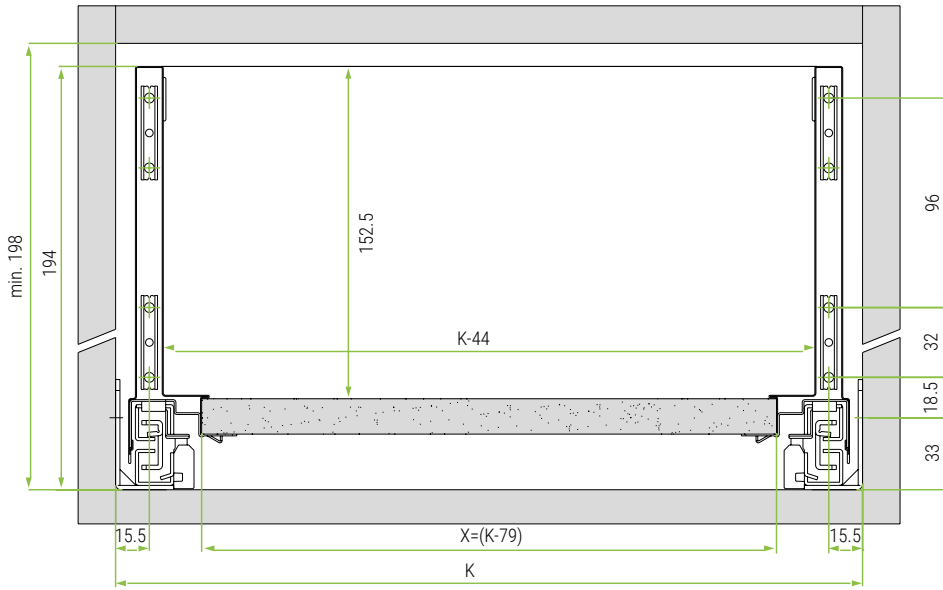


Front brackets for self-tapping screws

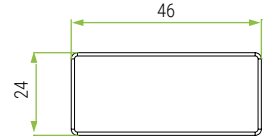


Front brackets with 10 mm expanding dowels

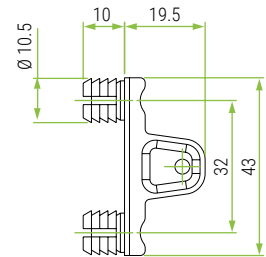
Front drilling & dimensions



Cover cap

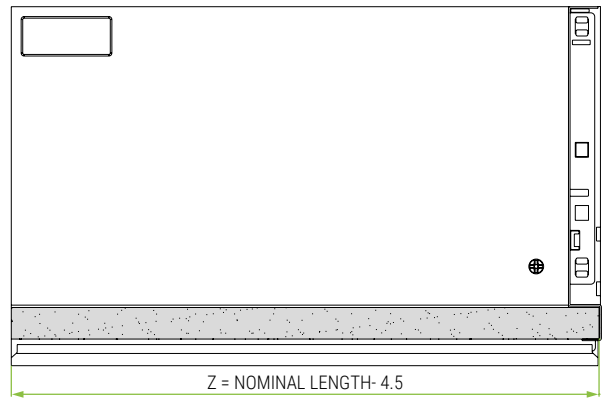
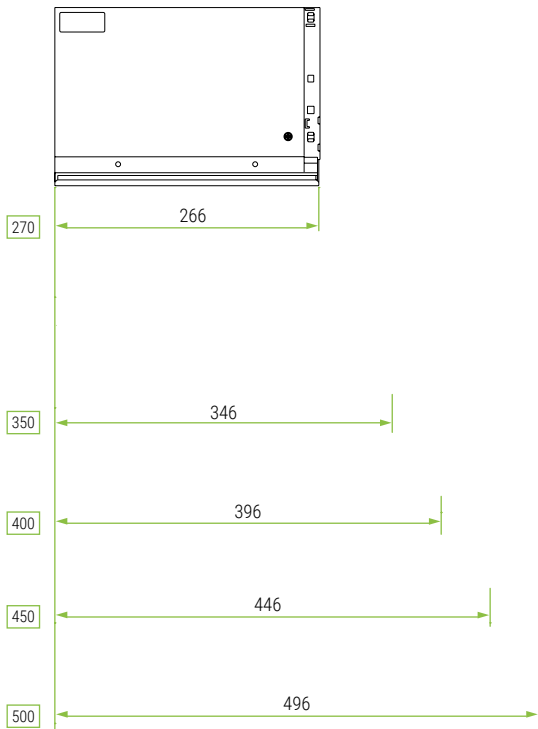


Front bracket with 10 mm dowels

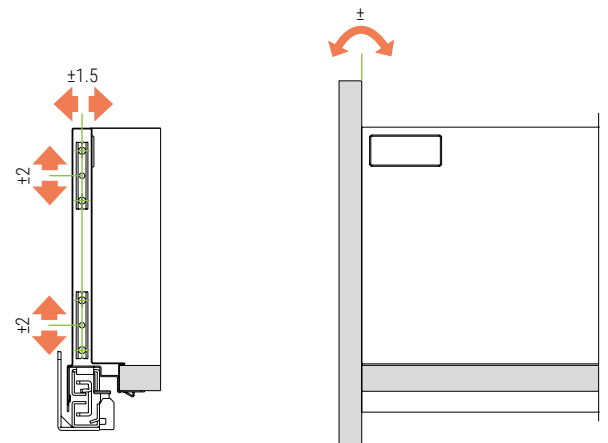


X	Bottom panel width
K	Internal cabinet width
Z	Bottom panel length

Drawer side dimensions



Adjustments



Ten² Slides



Technical Specifications:

- Full extension damped slides for high performance and smooth action
- Large range of length from 270 to 500 mm
- High 45kg standard load for ease of use throughout the applications
- High side stability thanks to Dual-Synchro® rack-and-pinion for smooth action
- Adaptive SlowMotion damping for silent and majestic closing under all load circumstances or adverse conditions
- Slide-click fixing of drawer on the slide for easy and safe connection
- Very smooth action and increased glide ability thanks to rollers with special design and materials
- Long lasting life thanks to high quality material and performance design

Ten slides

Code	Description	PG
58YEF00727X000	TEN SLIDE 270 & SLOWMOTION 45KG	0330
58YEF00735X000	TEN SLIDE 350 & SLOWMOTION 45KG	0330
58YEF00740X000	TEN SLIDE 400 & SLOWMOTION 45KG	0330
58YEF00745X000	TEN SLIDE 450 & SLOWMOTION 45KG	0330
58YEF00750X0000	TEN SLIDE 500 & SLOWMOTION 45KG	0330

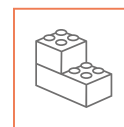
Unit: 1 pair
Packaging: 10 pairs



SLOWMOTION



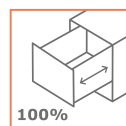
ONETOUCH



EASY ASSEMBLY



PERFECT INDUSTRIALISATION

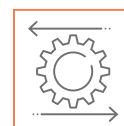


100%

ESTRAZIONE TOTALE



CARICO DINAMICO

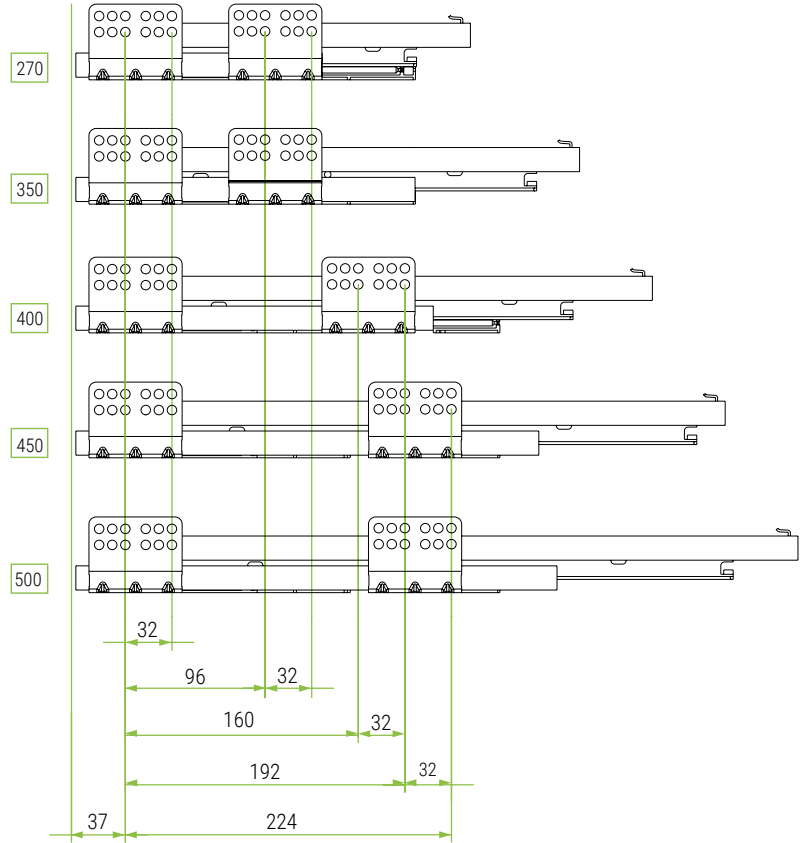
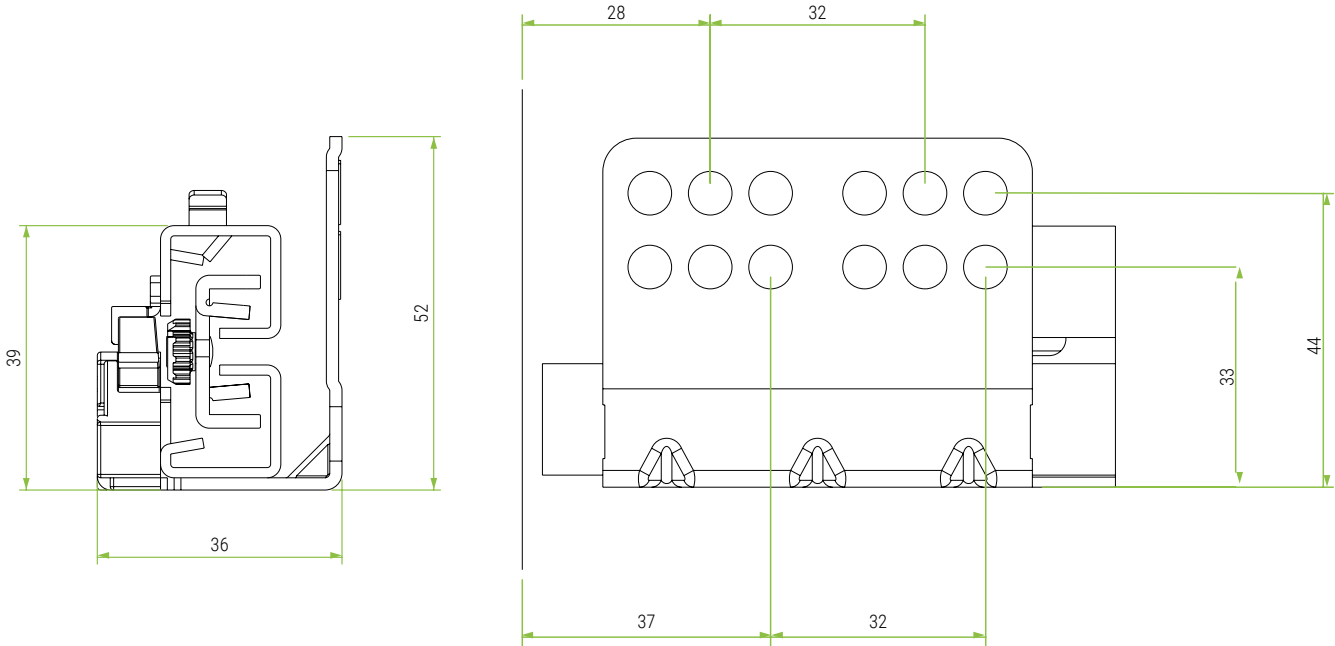


DUAL-SYNCHRO



Dual-Synchro for high side stability

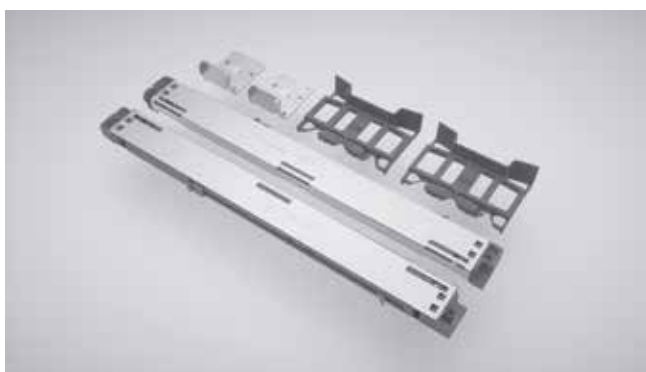
Slides dimensions & drilling position



Nominal length	Slide length
270	270
350	349
400	399
450	449
500	499

Cabinet depth = slide length + 3 mm

Ten² OneTouch+SlowMotion technology



Technical Specifications:

- Add-on device for hand-less furniture with integrated SlowMotion technology
- Efficient and easy to install on standard Ten² drawer
- Mechanical solution: no wires or electrical connection required
- It works normally even if the drawer is pulled outwards
- It can be retrofitted anytime
- Invisible installation under the drawer
- Just a light touch and the drawer opens by itself
- Smooth and silent closure without any effort

Kit OneTouch + SlowMotion technology

Code	Description	PG
58YM02060000000	TEN2 ONE-TOUCH SLOWMOTION SYSTEM	0345

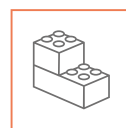
Unit: 1 set
Packaging: 20 sets



SLOWMOTION



ONETOUCH



EASY ASSEMBLY

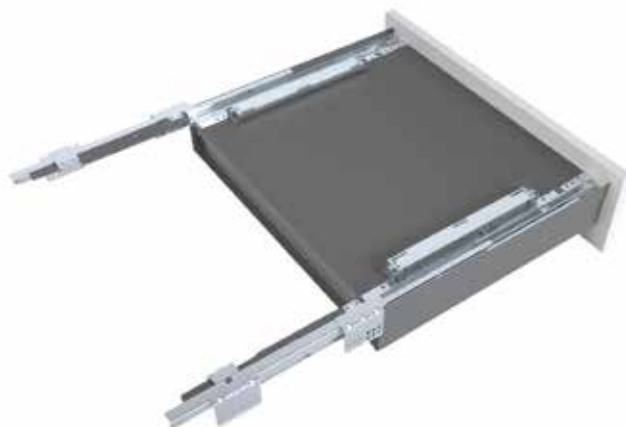


PERFECT INDUSTRIALISATION

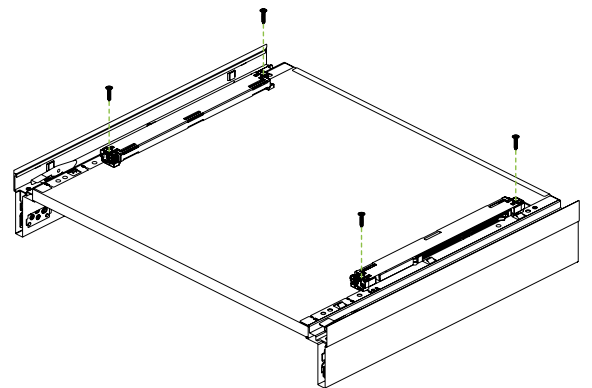
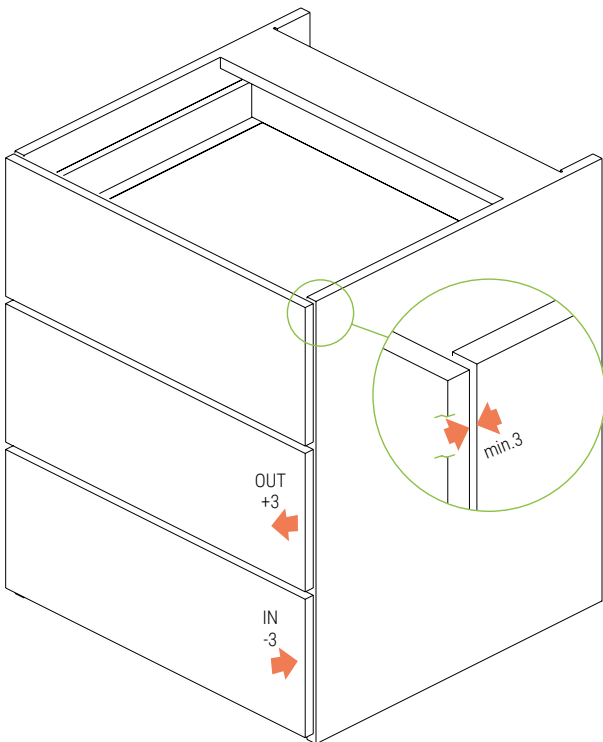
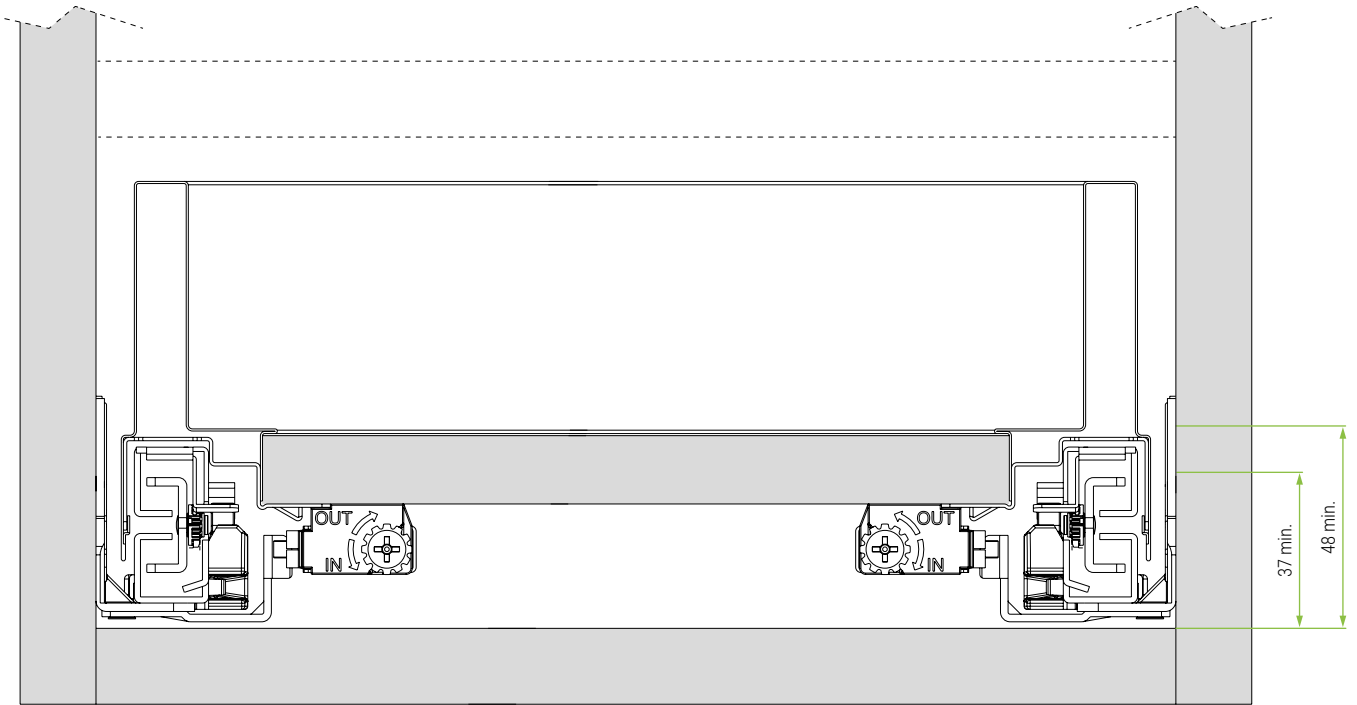
Kit consisting of: 2 OneTouch+SlowMotion devices, 2 drilling jig, 2 brackets, fixing screws. Available for drawer depths from 350 to 500 mm



View of the OneTouch+SlowMotion device assembled under the drawer



OneTouch+SlowMotion technology application



Ten² Steel back panels



Technical Specifications:

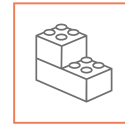
- Steel back panel for consistent look and strong construction
- Heights 90 and 180 mm
- Ten² widths from 300 to 1200 mm
- Custom width upon request
- Available for 16 mm cabinet side panel thickness
- Thick material for strong construction and stability
- Metal epoxy finish in colours matching perfectly the drawer finish: Anthrasite and Polar White



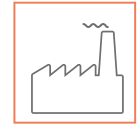
SLOWMOTION



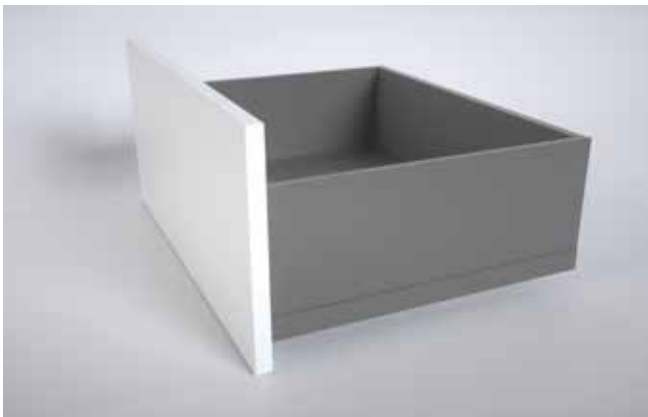
ONETOUCH



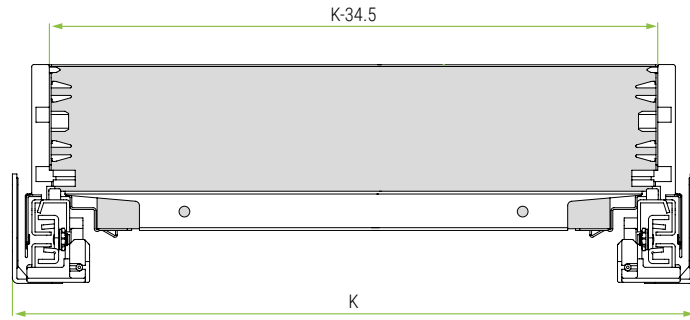
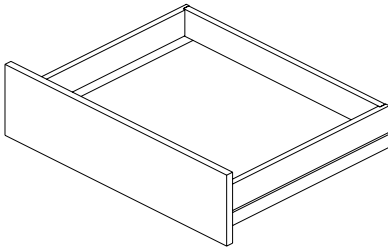
EASY ASSEMBLY



PERFECT
INDUSTRIALISATION



Drawer H90



K Internal cabinet width

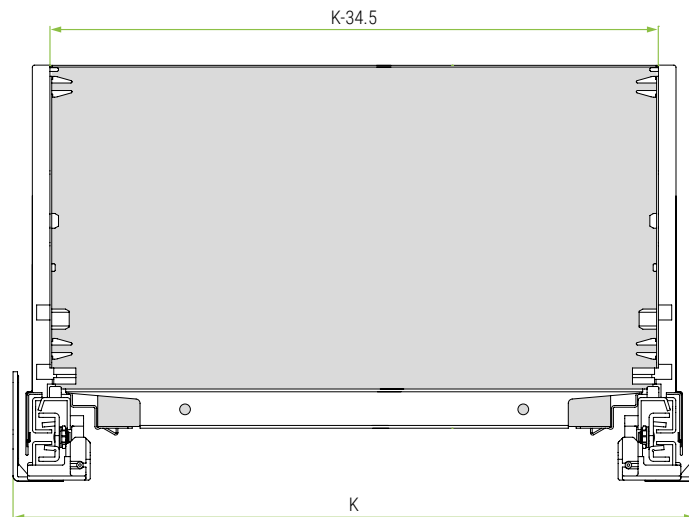
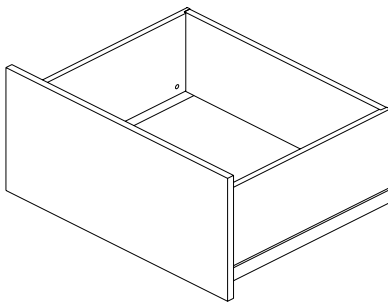
Code	Description	PG
58PYPAF13016000	TEN2 BACK PANEL LOW H90 M3 WHITE	0348
58PYPAF14016000	TEN2 BACK PANEL LOW H90 M4 WHITE	0348
58PYPAF15016000	TEN2 BACK PANEL LOW H90 M5 WHITE	0348
58PYPAF16016000	TEN2 BACK PANEL LOW H90 M6 WHITE	0348
58PYPAF17016000	TEN2 BACK PANEL LOW H90 M7 WHITE	0348
58PYPAF18016000	TEN2 BACK PANEL LOW H90 M8 WHITE	0348
58PYPAF19016000	TEN2 BACK PANEL LOW H90 M9 WHITE	0348
58PYPAF11016000	TEN2 BACK PANEL LOW H90 M10 WHITE	0348
58PYPAF11216000	TEN2 BACK PANEL LOW H90 M12 WHITE	0348

Unit: 1 pc
Packaging: 20 pcs

Code	Description	PG
58PYPAS83016000	TEN2 BACK PANEL LOW H90 M3 ANTHRASITE	0349
58PYPAS84016000	TEN2 BACK PANEL LOW H90 M4 ANTHRASITE	0349
58PYPAS85016000	TEN2 BACK PANEL LOW H90 M5 ANTHRASITE	0349
58PYPAS86016000	TEN2 BACK PANEL LOW H90 M6 ANTHRASITE	0349
58PYPAS87016000	TEN2 BACK PANEL LOW H90 M7 ANTHRASITE	0349
58PYPAS88016000	TEN2 BACK PANEL LOW H90 M8 ANTHRASITE	0349
58PYPAS89016000	TEN2 BACK PANEL LOW H90 M9 ANTHRASITE	0349
58PYPAS81016000	TEN2 BACK PANEL LOW H90 M10 ANTHRASITE	0349
58PYPAS81216000	TEN2 BACK PANEL LOW H90 M12 ANTHRASITE	0349

Unit: 1 pc
Packaging: 20 pcs

Drawer H180



K Internal cabinet width

Code	Description	PG
58PYPSF13016000	TEN2 BACK PANEL HIGH H180 M3 WHITE	0348
58PYPSF14016000	TEN2 BACK PANEL HIGH H180 M4 WHITE	0348
58PYPSF15016000	TEN2 BACK PANEL HIGH H180 M5 WHITE	0348
58PYPSF16016000	TEN2 BACK PANEL HIGH H180 M6 WHITE	0348
58PYPSF17016000	TEN2 BACK PANEL HIGH H180 M7 WHITE	0348
58PYPSF18016000	TEN2 BACK PANEL HIGH H180 M8 WHITE	0348
58PYPSF19016000	TEN2 BACK PANEL HIGH H180 M9 WHITE	0348
58PYPSF11016000	TEN2 BACK PANEL HIGH H180 M10 WHITE	0348
58PYPSF11216000	TEN2 BACK PANEL HIGH H180 M12 WHITE	0348

Unit: 1 pc
Packaging: 20 pcs

Code	Description	PG
58PYPSS83016000	TEN2 BACK PANEL HIGH H180 M3 ANTHRASITE	0349
58PYPSS84016000	TEN2 BACK PANEL HIGH H180 M4 ANTHRASITE	0349
58PYPSS85016000	TEN2 BACK PANEL HIGH H180 M5 ANTHRASITE	0349
58PYPSS86016000	TEN2 BACK PANEL HIGH H180 M6 ANTHRASITE	0349
58PYPSS87016000	TEN2 BACK PANEL HIGH H180 M7 ANTHRASITE	0349
58PYPSS88016000	TEN2 BACK PANEL HIGH H180 M8 ANTHRASITE	0349
58PYPSS89016000	TEN2 BACK PANEL HIGH H180 M9 ANTHRASITE	0349
58PYPSS81016000	TEN2 BACK PANEL HIGH H180 M10 ANTHRASITE	0349
58PYPSS81216000	TEN2 BACK PANEL HIGH H180 M12 ANTHRASITE	0349

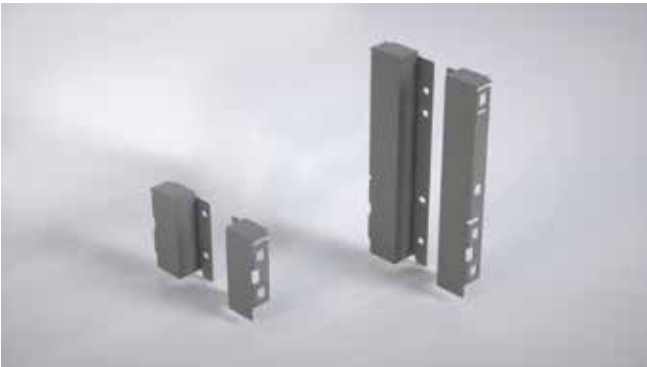
Unit: 1 pc
Packaging: 20 pcs

Ten² Back fixings for wooden back panel



Technical Specifications:

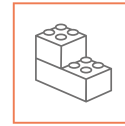
- Steel back fixings for versatility in dimensions and design
- Three heights: 90 and 180 mm
- Suitable also for use with extra-high wooden backs
- Easy assembling of the wooden back panel
- Metal epoxy finish in colours matching perfectly the drawer finish: Anthrasite and Polar White



SLOWMOTION



ONETOUCH



EASY ASSEMBLY



PERFECT
INDUSTRIALISATION

Ten² back panel fixings

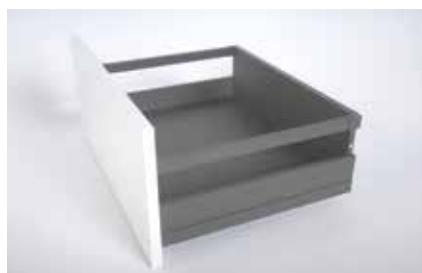
Code	Description	PG
58AYPAF10000000	TEN2 BACK PANEL FIXINGS H90 WHITE	0348
58AYPAS80000000	TEN2 BACK PANEL FIXINGS H90 ANTHRASITE	0348
58AYPSF10000000	TEN2 BACK PANEL FIXINGS H180 WHITE	0348
58AYPSS80000000	TEN2 BACK PANEL FIXINGS H180 ANTHRASITE	0348

Unit: 1 pair

Packaging: 50 pairs



Back fixing H90



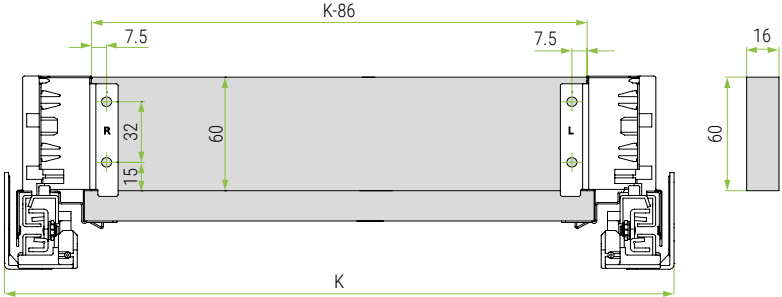
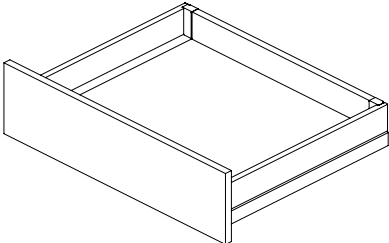
Back fixing H180 with railing



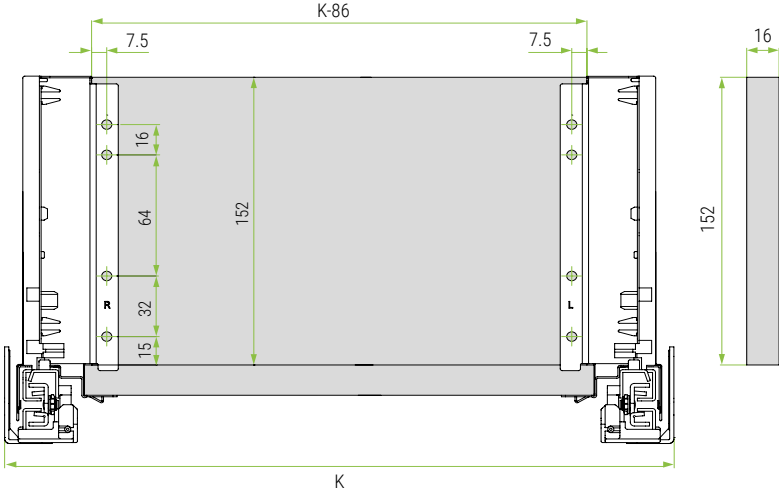
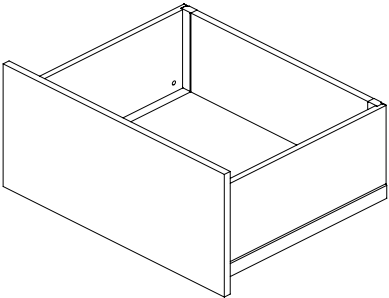
Back fixing H180

Wooden back panel - Back view

Drawer H90

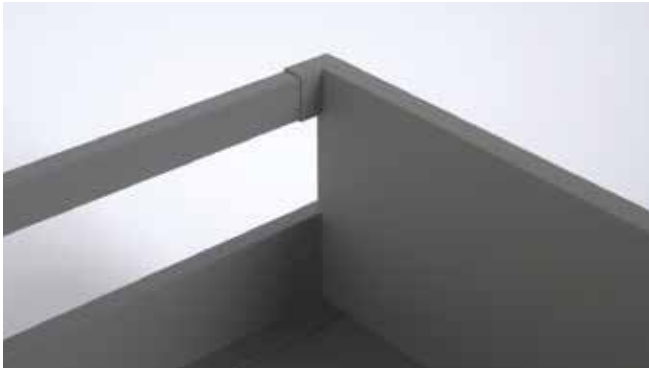


Drawer H180

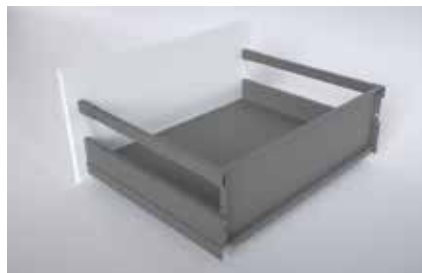


K Internal cabinet width

Ten² Rectangular railing system



Screw-on railing



Pan drawer application with railing



Railing brackets application

Technical Specifications:

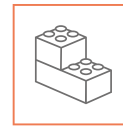
- Steel railing bars for perfect volume management and strong construction
- Two dimensions adapted to each drawer depth
- Simple click-on bracket for safe back fixing on steel panel
- Available plastic brackets for railing free fixing positioning at any height to the wooden back panel
- Integrated inclination adjustment for +/- 3.5 mm
- Metal epoxy finish in colours matching perfectly the drawer finish: Anthrasite and Polar White
- Colour and finish of plastic components enhances quality feel
- Excellent side retention in high drawer applications



SLOWMOTION



ONETOUCH



EASY ASSEMBLY



PERFECT INDUSTRIALISATION

Ten² railing

Code	Description	PG
58RYD3F14500L00	TEN2 RAILING 450 SCREW/ON WHITE LEFT	0351
58RYD3F14500R00	TEN2 RAILING 450 SCREW/ON WHITE RIGHT	0351
58RYD3F15000L00	TEN2 RAILING 500 SCREW/ON WHITE LEFT	0351
58RYD3F15000R00	TEN2 RAILING 500 SCREW/ON WHITE RIGHT	0351
58RYD3S84500L00	TEN2 RAILING 450 SCREW/ON ANTHRASITE LEFT	0351
58RYD3S84500R00	TEN2 RAILING 450 SCREW/ON ANTHRASITE RIGHT	0351
58RYD3S85000L00	TEN2 RAILING 500 SCREW/ON ANTHRASITE LEFT	0351
58RYD3S85000R00	TEN2 RAILING 500 SCREW/ON ANTHRASITE RIGHT	0351

Unit: 1 pc

Packaging: 40 pcs

Ten² railing back panel fixing

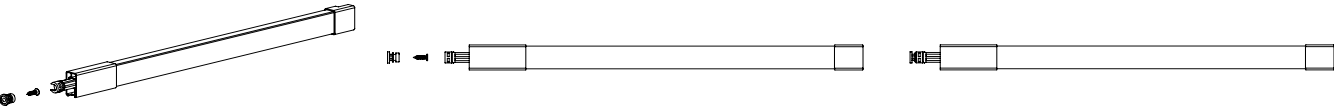
Code	Description	PG
58AYPWF10000000	TEN2 RAILING BACKP. BRACKET WHITE	0351
58AYPWS80000000	TEN2 RAILING BACKP. BRACKET ANTHRASITE	0351

Unit: 1 pair

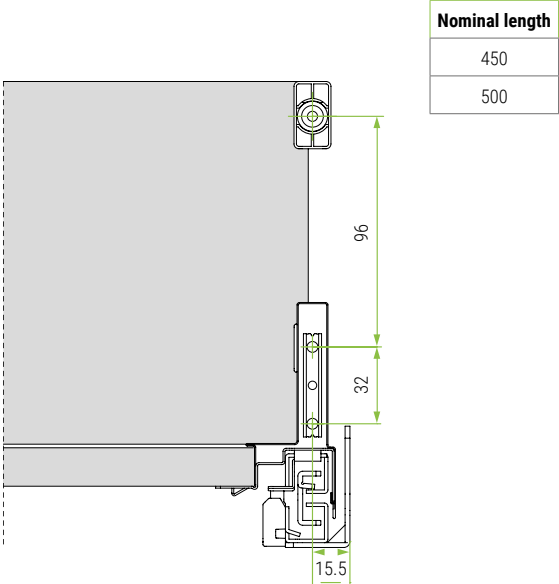
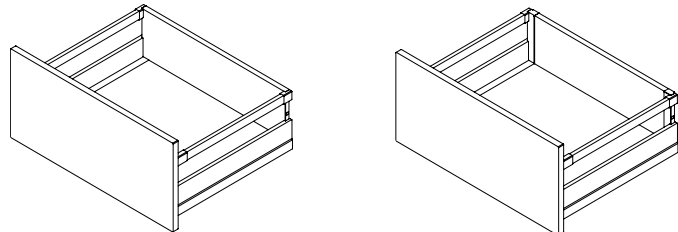
Packaging: 50 pairs

To be combined with the high back wooden panel

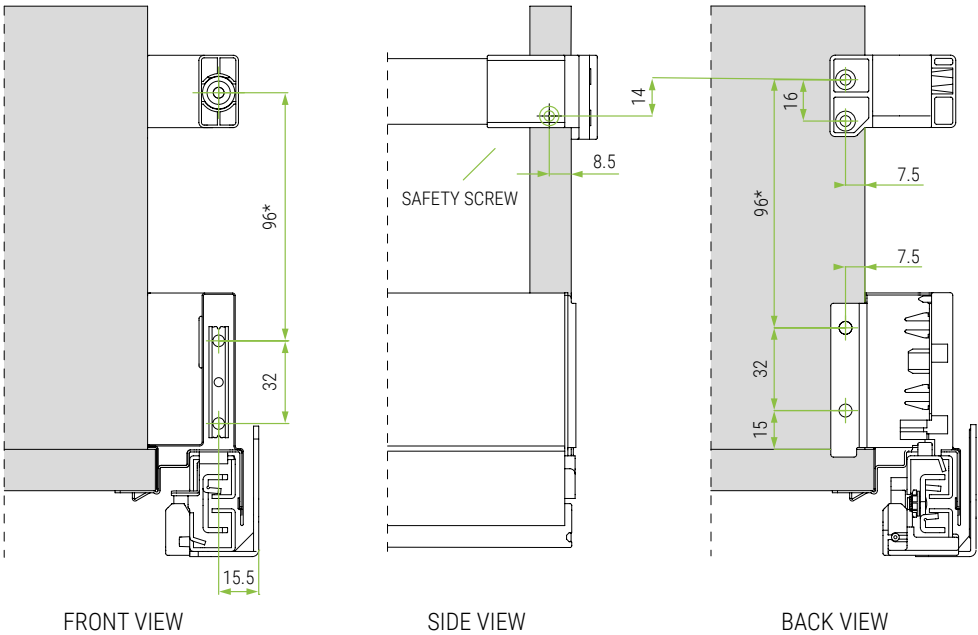
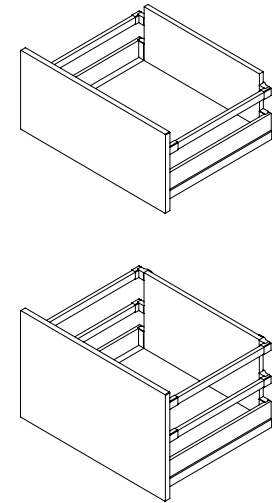
Screw-on railing



Railing application with steel back panel and steel back brackets

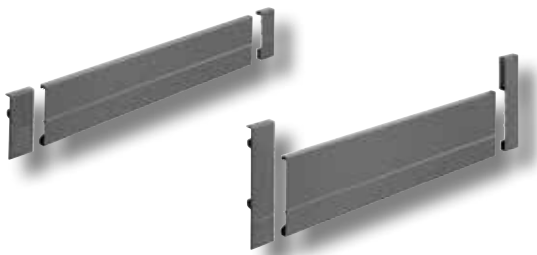
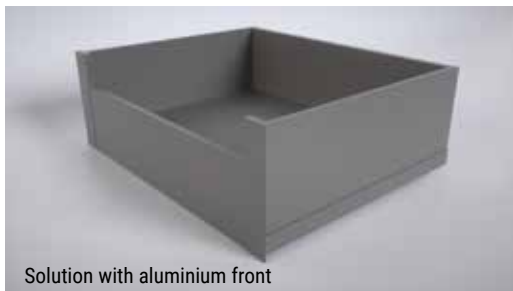
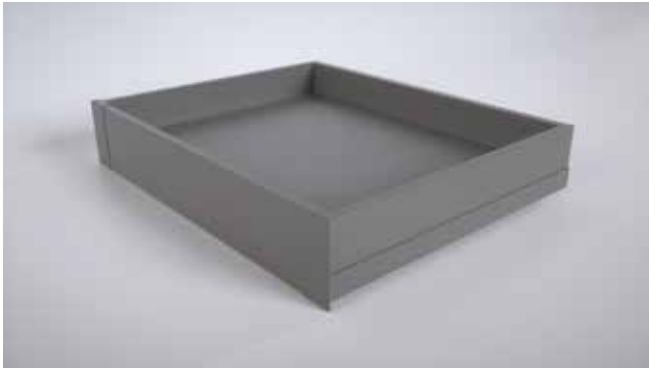


Railing brackets application with wooden back panel



*RECOMMENDED POSITION

Ten² IN internal drawer - aluminium front



Technical Specifications:

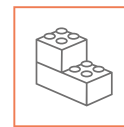
- Kit for 4-sided internal drawer for elegant and practical function
- Plastic frontal brackets with improved fixing system to ensure a stronger coupling and a perfect match with lateral panels
- Brackets available in heights 90 and 180 mm
- Aluminium front with elegant shape to be cut on size of the drawer width and to be used with frontal brackets
- No need for edge banding on the front of the drawer bottom
- Standard clip-on function for ease of assembly
- Standard metal finishes matching perfectly the drawer finish: Anthrasite and Polar White
- High-end look thanks to elegant materials and perfect finishing



SLOWMOTION



ONETOUCH



EASY ASSEMBLY



PERFECT INDUSTRIALISATION

TEN² internal drawer white

Code	Description	PG
58PY4AF1182000	TEN2 INT.DR. FRONT PROFILE LOW H90 M3 WHITE	0350
58PY4AF1282000	TEN2 INT.DR. FRONT PROFILE LOW H90 M4 WHITE	0350
58PY4AF1332000	TEN2 INT.DR. FRONT PROFILE LOW H90 M45 WHITE	0350
58PY4AF1382000	TEN2 INT.DR. FRONT PROFILE LOW H90 M5 WHITE	0350
58PY4AF1482000	TEN2 INT.DR. FRONT PROFILE LOW H90 M6 WHITE	0350
58PY4AF1582000	TEN2 INT.DR. FRONT PROFILE LOW H90 M7 WHITE	0350
58PY4AF1682000	TEN2 INT.DR. FRONT PROFILE LOW H90 M8 WHITE	0350
58PY4AF1782000	TEN2 INT.DR. FRONT PROFILE LOW H90 M9 WHITE	0350
58PY4AF1882000	TEN2 INT.DR. FRONT PROFILE LOW H90 M10 WHITE	0350
58PY4AF11082000	TEN2 INT.DR. FRONT PROFILE LOW H90 M12 WHITE	0350
58AY4AF10000000	TEN2 FRONT KIT BRACKET INT.DR. H90 WHITE	0350
58PY40F1182000	TEN2 INT.DR. FRONT PROFILE HIGH H180 M3 WHITE	0350
58PY40F1282000	TEN2 INT.DR. FRONT PROFILE HIGH H180 M4 WHITE	0350
58PY40F1332000	TEN2 INT.DR. FRONT PROFILE HIGH H180 M45 WHITE	0350
58PY40F1382000	TEN2 INT.DR. FRONT PROFILE HIGH H180 M5 WHITE	0350
58PY40F1482000	TEN2 INT.DR. FRONT PROFILE HIGH H180 M6 WHITE	0350
58PY40F1582000	TEN2 INT.DR. FRONT PROFILE HIGH H180 M7 WHITE	0350
58PY40F1682000	TEN2 INT.DR. FRONT PROFILE HIGH H180 M8 WHITE	0350
58PY40F1782000	TEN2 INT.DR. FRONT PROFILE HIGH H180 M9 WHITE	0350
58PY40F1882000	TEN2 INT.DR. FRONT PROFILE HIGH H180 M10 WHITE	0350
58PY40F11082000	TEN2 INT.DR. FRONT PROFILE HIGH H180 M12 WHITE	0350
58AY4SF10000000	TEN2 FRONT KIT BRACKET INT.DR. H180 WHITE *	0350

Unit: 1 pc
Packaging: 10 pcs

* Unit: 1 pair
* Packaging: 50 pairs

TEN² internal drawer anthrasite

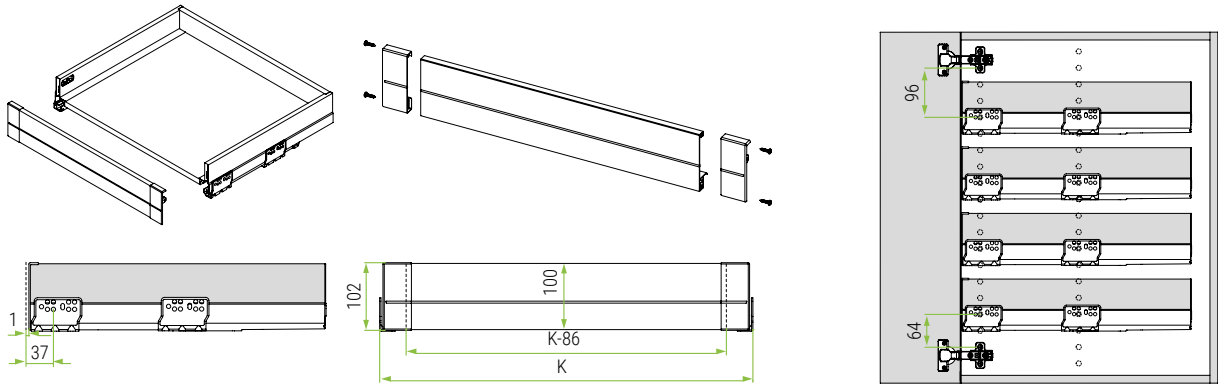
Code	Description	PG
58PY4AS8182000	TEN2 INT.DR. FRONT PROFILE LOW H90 M3 ANTR	0350
58PY4AS8282000	TEN2 INT.DR. FRONT PROFILE LOW H90 M4 ANTR	0350
58PY4AS8332000	TEN2 INT.DR. FRONT PROFILE LOW H90 M45 ANTR	0350
58PY4AS8382000	TEN2 INT.DR. FRONT PROFILE LOW H90 M5 ANTR	0350
58PY4AS8482000	TEN2 INT.DR. FRONT PROFILE LOW H90 M6 ANTR	0350
58PY4AS8582000	TEN2 INT.DR. FRONT PROFILE LOW H90 M7 ANTR	0350
58PY4AS8682000	TEN2 INT.DR. FRONT PROFILE LOW H90 M8 ANTR	0350
58PY4AS8782000	TEN2 INT.DR. FRONT PROFILE LOW H90 M9 ANTR	0350
58PY4AS8882000	TEN2 INT.DR. FRONT PROFILE LOW H90 M10 ANTR	0350
58PY4AS81082000	TEN2 INT.DR. FRONT PROFILE LOW H90 M12 ANTR	0350
58AY4AS80000000	TEN2 FRONT KIT BRACKET INT.DR. H90 ANTR *	0350
58PY40S8182000	TEN2 INT.DR. FRONT PROFILE HIGH H180 M3 ANTR	0350
58PY40S8282000	TEN2 INT.DR. FRONT PROFILE HIGH H180 M4 ANTR	0350
58PY40S8332000	TEN2 INT.DR. FRONT PROFILE HIGH H180 M45 ANTR	0350
58PY40S8382000	TEN2 INT.DR. FRONT PROFILE HIGH H180 M5 ANTR	0350
58PY40S8482000	TEN2 INT.DR. FRONT PROFILE HIGH H180 M6 ANTR	0350
58PY40S8582000	TEN2 INT.DR. FRONT PROFILE HIGH H180 M7 ANTR	0350
58PY40S8682000	TEN2 INT.DR. FRONT PROFILE HIGH H180 M8 ANTR	0350
58PY40S8782000	TEN2 INT.DR. FRONT PROFILE HIGH H180 M9 ANTR	0350
58PY40S8882000	TEN2 INT.DR. FRONT PROFILE HIGH H180 M10 ANTR	0350
58PY40S81082000	TEN2 INT.DR. FRONT PROFILE HIGH H180 M12 ANTR	0350
58AY4SS80000000	TEN2 FRONT KIT BRACKET INT.DR. H180 ANTR *	0350

Unit: 1 pc
Packaging: 10 pcs

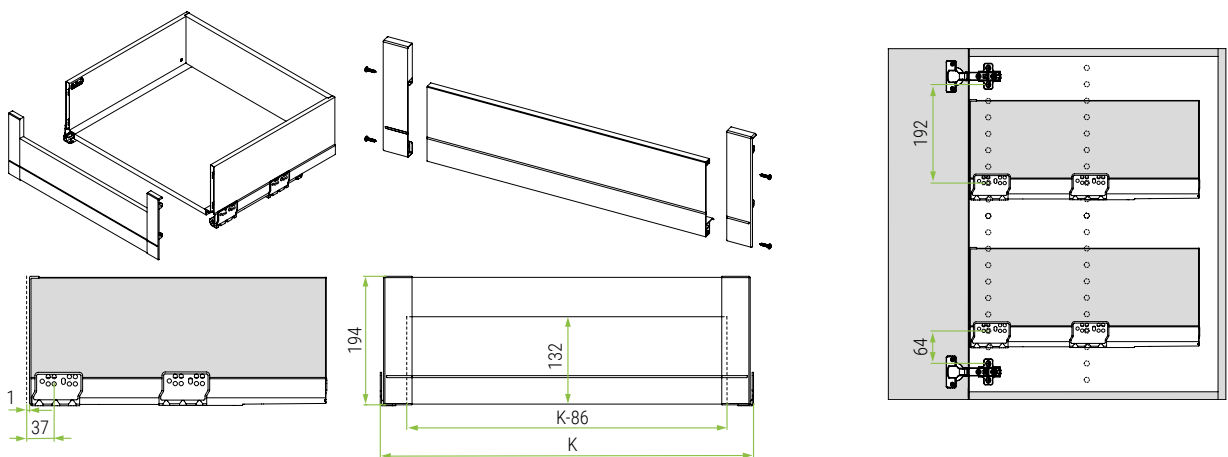
* Unit: 1 pair
* Packaging: 50 pairs

Drilling & front dimensions

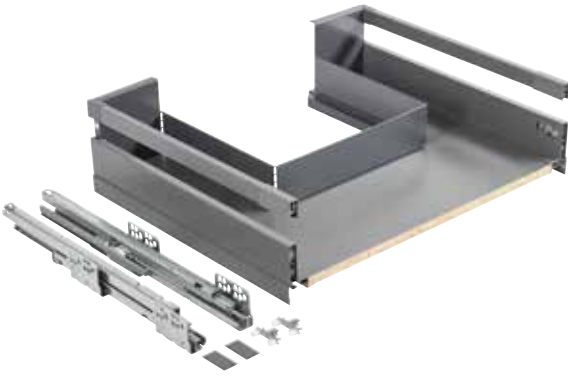
DRAWER H90



DRAWER H180



Ten² Acquario undersink solution



Technical Specifications:

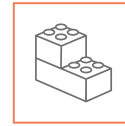
- Acquario undersink drawer solution for perfect space management around the siphon
- Kit made by foldable back panels
- Available in H90 mm drawer height
- Application from 450 mm deep drawers
- Efficient space management under the sink and around the siphon
- Easy to assemble and to adapt to the available space
- Metal finishes: Anthrasite and Polar White



SLOWMOTION



ONETOUCH



EASY ASSEMBLY



PERFECT INDUSTRIALISATION

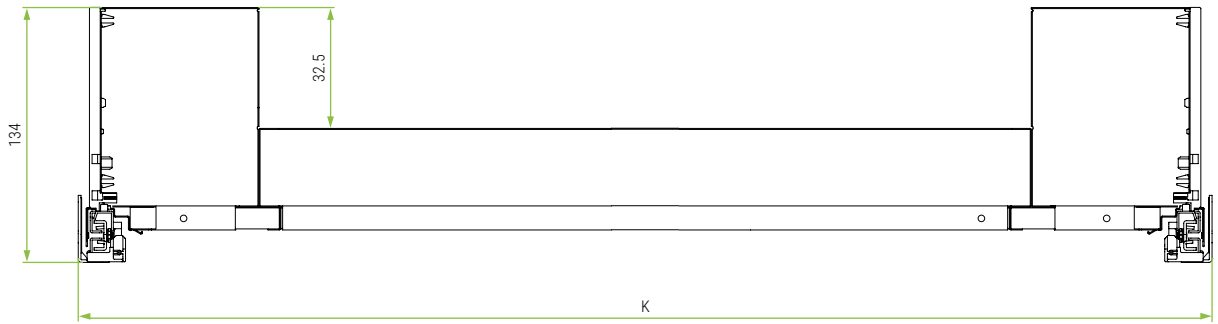
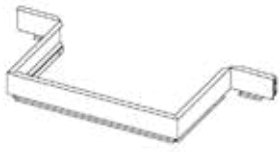
Code	Description	PG
3805760C	TEN2 UNDERSINK REARKIT H120 M6 WHITE	0348
3805770C	TEN2 UNDERSINK REARKIT H120 M7 WHITE	0348
3805780C	TEN2 UNDERSINK REARKIT H120 M8 WHITE	0348

Unit: 1 pc
Packaging: 10 pcs

Code	Description	PG
3805760CA	TEN2 UNDERSINK REARKIT H120 M6 ANTHRASITE	0349
3805770CA	TEN2 UNDERSINK REARKIT H120 M7 ANTHRASITE	0349
3805780CA	TEN2 UNDERSINK REARKIT H120 M8 ANTHRASITE	0349

Unit: 1 pc
Packaging: 10 pcs

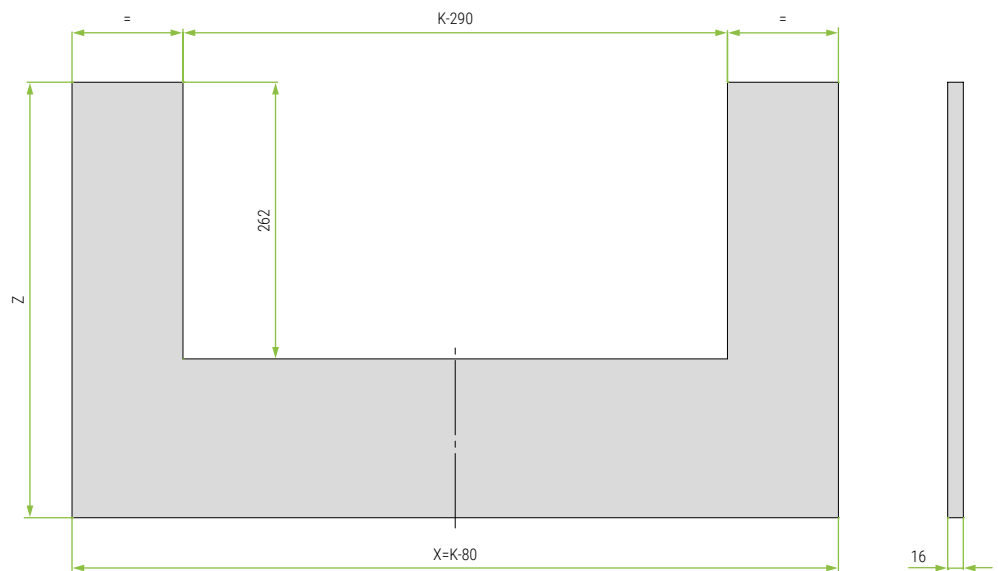
Drawer H120



Bottom panel dimensions

K	Internal cabinet width
X	Bottom panel width
Z	Bottom panel length

Drawer depth	Z
450	446



Accessories

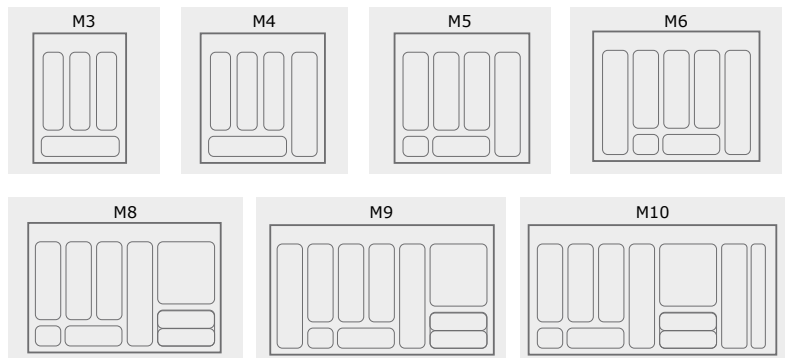
CUTLERY TRAY



Code	Description	PG
6770B325TGVA	TEN2 CUTLERY TRAY 223*480*45 M3 WHITE	0338
6772B325TGVA	TEN2 CUTLERY TRAY 323*480*45 M4 WHITE	0338
6774B320TGVA	TEN2 CUTLERY TRAY 423*480*45 M5 WHITE	0338
6776B320TGVA	TEN2 CUTLERY TRAY 523*480*45 M6 WHITE	0338
6778B3110TGVA	TEN2 CUTLERY TRAY 723*480*45 M8 WHITE	0338
6780B3110TGVA	TEN2 CUTLERY TRAY 823*480*45 M9 WHITE	0338
6781B315PUTGVA	TEN2 CUTLERY TRAY 923*480*45 M10 WHITE	0338
6770G425TGHA	TEN2 CUTLERY TRAY 223*480*45 M3 ANTHRASITE	0338
6772G425TGHA	TEN2 CUTLERY TRAY 323*480*45 M4 ANTHRASITE	0338
6774G420TGHA	TEN2 CUTLERY TRAY 423*480*45 M5 ANTHRASITE	0338
6776G420TGHA	TEN2 CUTLERY TRAY 523*480*45 M6 ANTHRASITE	0338
6778G4110TGHA	TEN2 CUTLERY TRAY 723*480*45 M8 ANTHRASITE	0338
6780G4110TGHA	TEN2 CUTLERY TRAY 823*480*45 M9 ANTHRASITE	0338
6781G415PUTGHA	TEN2 CUTLERY TRAY 923*480*45 M10 ANTHRASITE	0338

Packaging: 1 pc

- Cutlery tray
- Mat white or antrasite plastic
- M5, M6, M8, M10: Can be equipped with an optional knife holder or foil and plastic wrap holder



Foil holder for cutlery tray



Code	Description	PG
6795B31PZVA	TEN2 CUTLERY TR. FOIL HOL. ART.795 WHITE	0338
6795G41PZHA	TEN2 CUTLERY TR. FOIL HOL. ART.795 ANTHRASITE	0338

Packaging: 1 pc

- Foil- and plastic wrap holder
- Stainless steel, plastic
- Suitable for cutlery tray M5, M6, M8, M10

Knife holder for cutlery tray



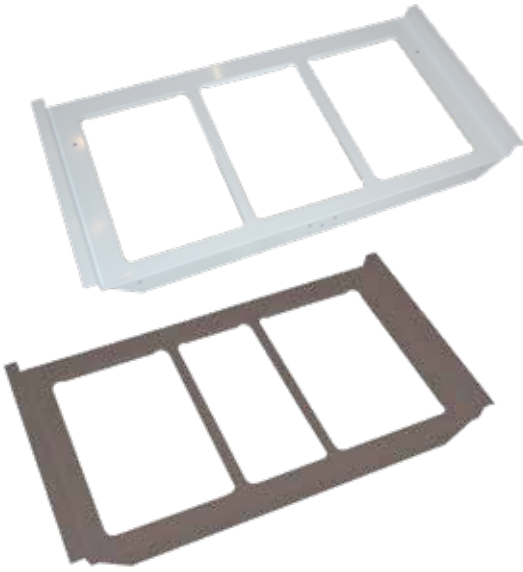
Code	Description	PG
6794PCOL	TEN CUTLERY TR. KNIFE HOL. ART.794	0336

Packaging: 1 pc

- Knife holder
- Light wood
- Suitable for cutlery tray M5, M6, M8, M10

UPPER FRAME WASTE WAGONS & BINS

Upper frame



Code	Description	PG
3804430	TOP MOUNT. SORTING FRAME M3 WHITE	0691
3804440	TOP MOUNT. SORTING FRAME M4 WHITE	0691
3804450	TOP MOUNT. SORTING FRAME M5 WHITE	0691
3804460	TOP MOUNT. SORTING FRAME M6 WHITE	0691
3804470	TOP MOUNT. SORTING FRAME M7 WHITE	0691
3804480	TOP MOUNT. SORTING FRAME M8 WHITE	0691
3804490	TOP MOUNT. SORTING FRAME M9 WHITE	0691
3804500	TOP MOUNT. SORTING FRAME M10 WHITE	0691
3804430CA	TOP MOUNT. SORTING FRAME M3 ANTHRASITE	0691
3804440CA	TOP MOUNT. SORTING FRAME M4 ANTHRASITE	0691
3804450CA	TOP MOUNT. SORTING FRAME M5 ANTHRASITE	0691
3804460CA	TOP MOUNT. SORTING FRAME M6 ANTHRASITE	0691
3804470CA	TOP MOUNT. SORTING FRAME M7 ANTHRASITE	0691
3804480CA	TOP MOUNT. SORTING FRAME M8 ANTHRASITE	0691

Note! The parts of the TEN² drawer must be ordered separately. Drawer depth 450 mm.



Bins



Code	Description	PG
380133803	BIN 5L ANTHRASITE	0691
380133804	BIN 10L ANTHRASITE	0691
3801338041	BIN 15L ANTHRASITE	0691
380133805	BIN 17L ANTHRASITE	0691
380133806	BIN 21L ANTHRASITE	0691

Accessories

Plate holder



Code	Description	PG
F31023	PLATE HOLDER GREY	0336

Packaging: 2 pcs

Bottom mat for drawer



Code	Description	PG
F16501	TRANSPARENT BOTTOM MAT 4M ROLL	0336

Packaging: 1 pc

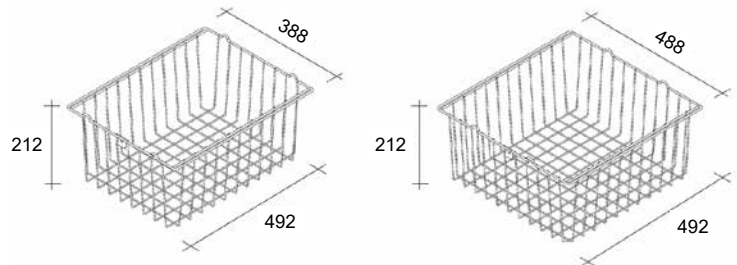
TEN-drawer basket



Code	Description	PG
38021311	TEN-DRAWER BASKET M500 WHITE	0336
38021312	TEN-DRAWER BASKET M600 WHITE	0336

Pakkaus: 1 kpl

- dimensions: depth 500 mm, width M500 & M600
- the basket can be used with 350 mm high front kit
- Note! The parts of the TEN2 drawer must be ordered separately



Waste wagon for TEN drawer

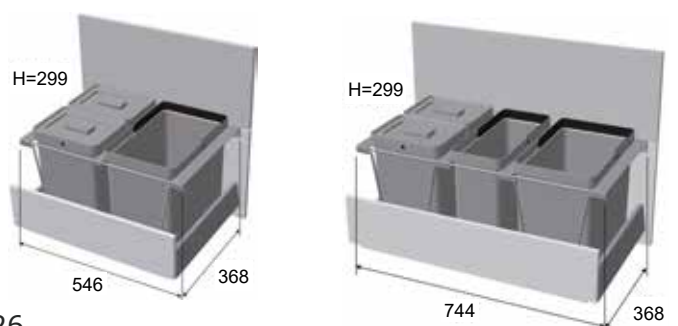


Code	Description	PG
3406139001221	SORTING FRAME M6 WHITE	0691
3406142001221	SORTING FRAME M8 WHITE	0691

Packaging: 1 pc

Needed bins:

- M6 frame: 2 x 10L + 1 x 21L
- M8 frame: 2 x 10L + 1 x 17L + 1 x 21L

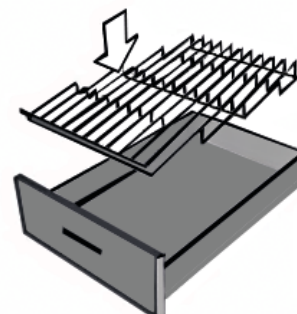


SPICE RACK



Code	Description	PG
3406621008015	SPICE RACK FOR DRAWER 400 SILVER	0290
3406622008015	SPICE RACK FOR DRAWER 500 SILVER	0290
3406623008015	SPICE RACK FOR DRAWER 600 SILVER	0290

Packaging: 1 pc



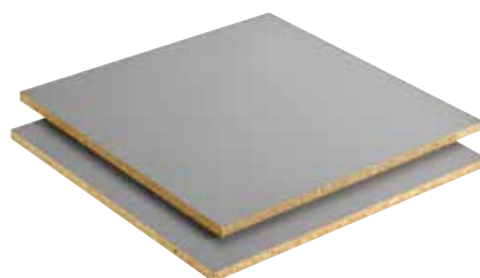
DRAWER BOTTOMS



DRAWER BOTTOM 500 WHITE

Code	Description	PG
LPT03VA	DRAWER BOTTOM TEN 189x495x16 M3 WHITE	0342
LPT04VA	DRAWER BOTTOM TEN 289x495x16 M4 WHITE	0342
LPT05VA	DRAWER BOTTOM TEN 389x495x16 M5 WHITE	0342
LPT06VA	DRAWER BOTTOM TEN 489x495x16 M6 WHITE	0342
LPT07VA	DRAWER BOTTOM TEN 589*495*16 M7 WHITE	0342
LPT08VA	DRAWER BOTTOM TEN 689x495x16 M8 WHITE	0342
LPT09VA	DRAWER BOTTOM TEN 789x495x16 M9 WHITE	0342
LPT10VA	DRAWER BOTTOM TEN 889x495x16 M10 WHITE	0342
LPT12VA	DRAWER BOTTOM TEN 1089x495x16 M12 WHITE	0342

Packaging: 1 pc



DRAWER BOTTOM 500 ANTHRASITE

Code	Description	PG
LPT03HA	DRAWER BOTTOM TEN 189x495x16 M3 ANTHRAS	0342
LPT04HA	DRAWER BOTTOM TEN 289x495x16 M4 ANTHRAS	0342
LPT05HA	DRAWER BOTTOM TEN 389x495x16 M5 ANTHRAS	0342
LPT06HA	DRAWER BOTTOM TEN 489x495x16 M6 ANTHRAS	0342
LPT07HA	DRAWER BOTTOM TEN 589*495*16 M7 ANTHRAS	0342
LPT08HA	DRAWER BOTTOM TEN 689x495x16 M8 ANTHRAS	0342
LPT09HA	DRAWER BOTTOM TEN 789x495x16 M9 ANTHRAS	0342
LPT10HA	DRAWER BOTTOM TEN 889x495x16 M10 ANTHRAS	0342
LPT12HA	DRAWER BOTTOM TEN 1089x495x16 M12 ANTHRAS	0342

Packaging: 1 pc

DRAWER BOTTOM 450 WHITE

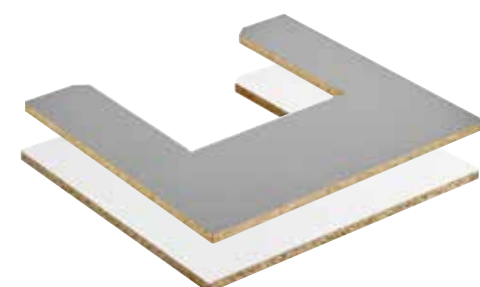
Code	Description	PG
LPT04VA450	DRAWER BOTTOM TEN 289x445x16 WHITE	0342
LPT05VA450	DRAWER BOTTOM TEN 389x445x16 WHITE	0342
LPT06VA450	DRAWER BOTTOM TEN 489x445x16 WHITE	0342
LPT08VA450	DRAWER BOTTOM TEN 689x445x16 WHITE	0342
LPT10VA450	DRAWER BOTTOM TEN 889x445x16 WHITE	0342

Packaging: 1 pc

DRAWER BOTTOM FOR DRAWER UNDER THE SINK

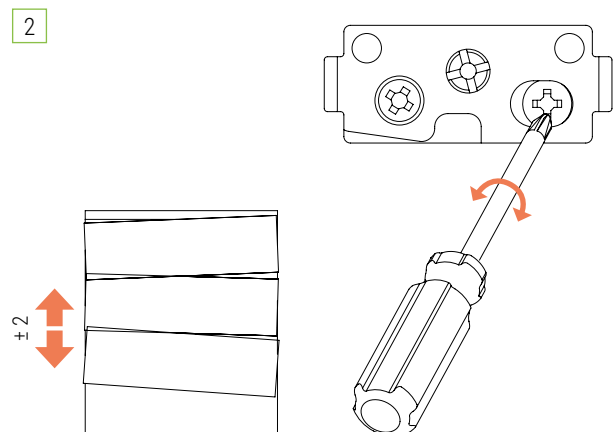
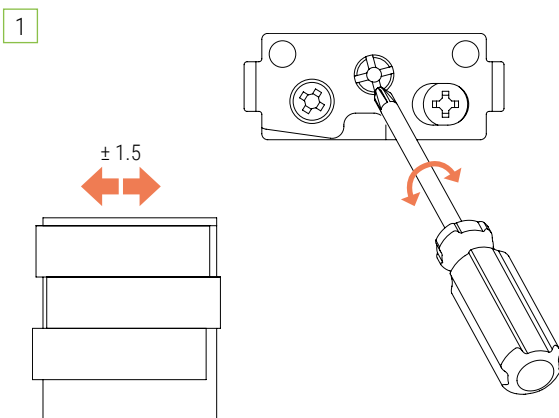
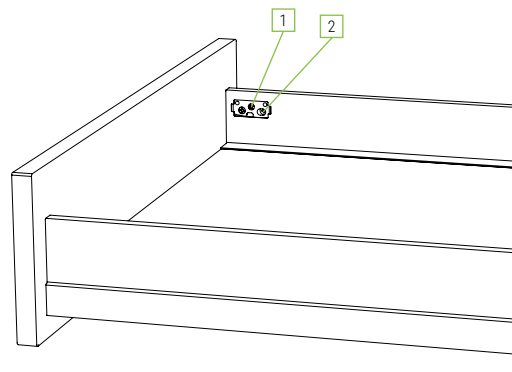
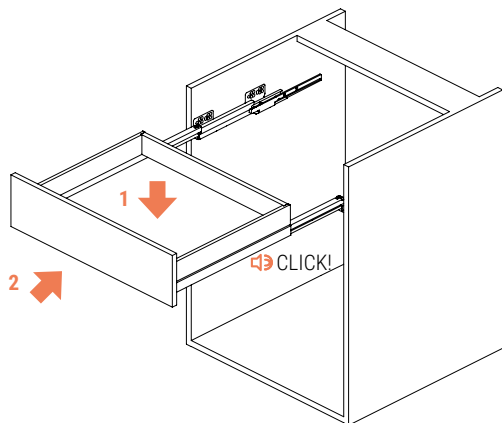
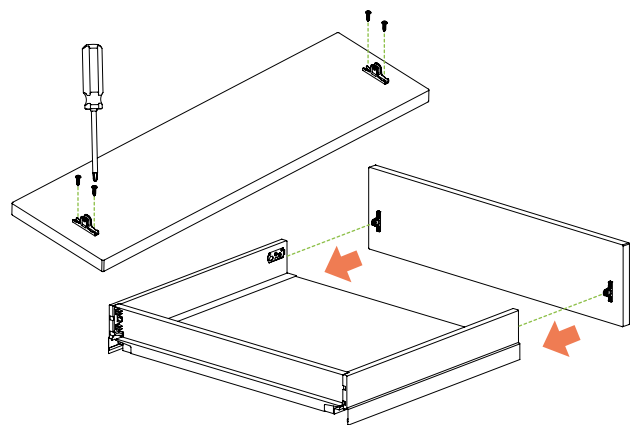
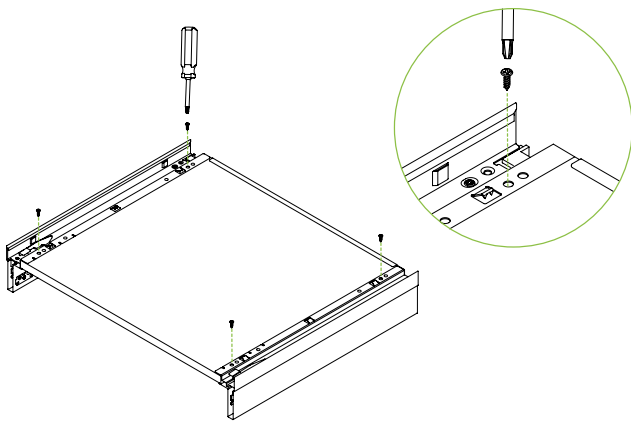
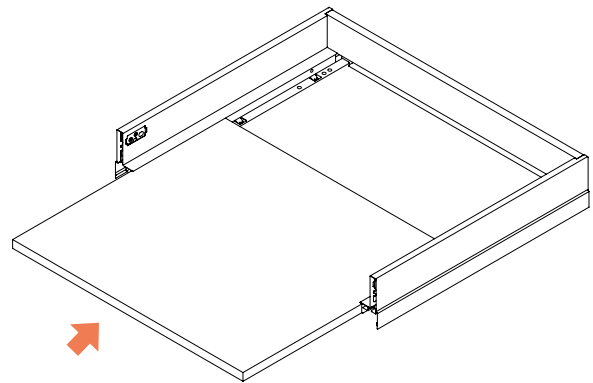
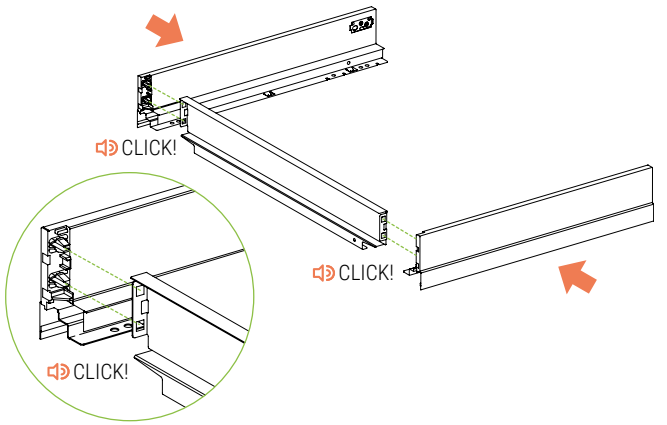
Code	Description	PG
LPT06ALLASHA	DRAWER BOTTOM TEN SINK 489x445x16 M6 ANTHRAS	0342
LPT06ALLASVA	DRAWER BOTTOM TEN SINK 489x445x16 M6 WHITE	0342
LPT07ALLASHA	DRAWER BOTTOM TEN SINK 589x445x16 M7 ANTHRAS	0342
LPT07ALLASVA	DRAWER BOTTOM TEN SINK 589x445x16 M7 WHITE	0342
LPT08ALLASHA	DRAWER BOTTOM TEN SINK 689x445x16 M8 ANTHRAS	0342
LPT08ALLASVA	DRAWER BOTTOM TEN SINK 689x445x16 M8 WHITE	0342

Packaging: 1 pc



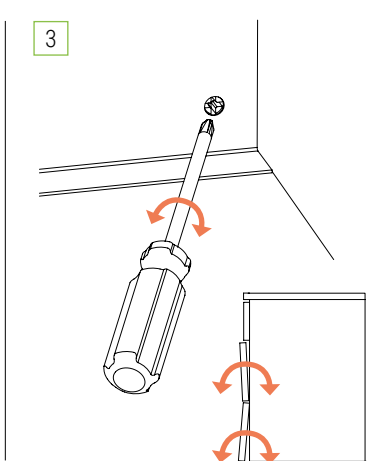
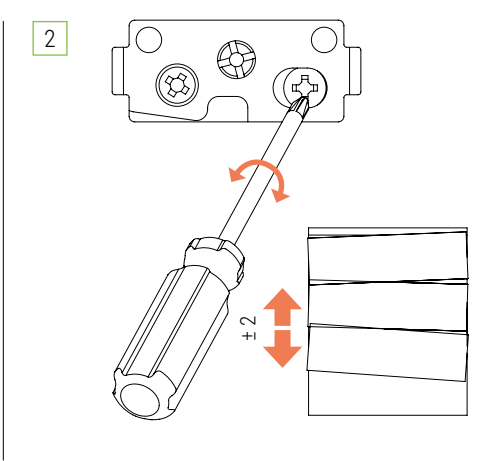
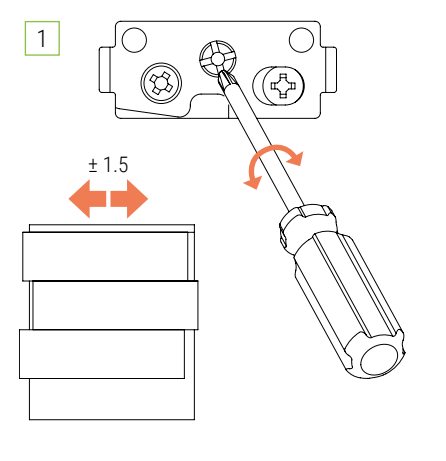
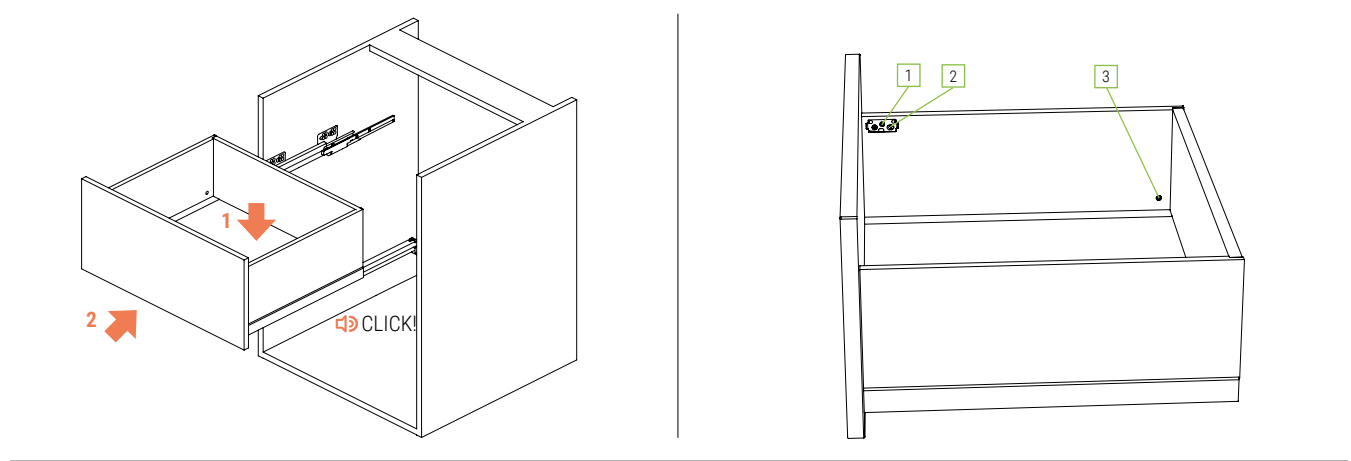
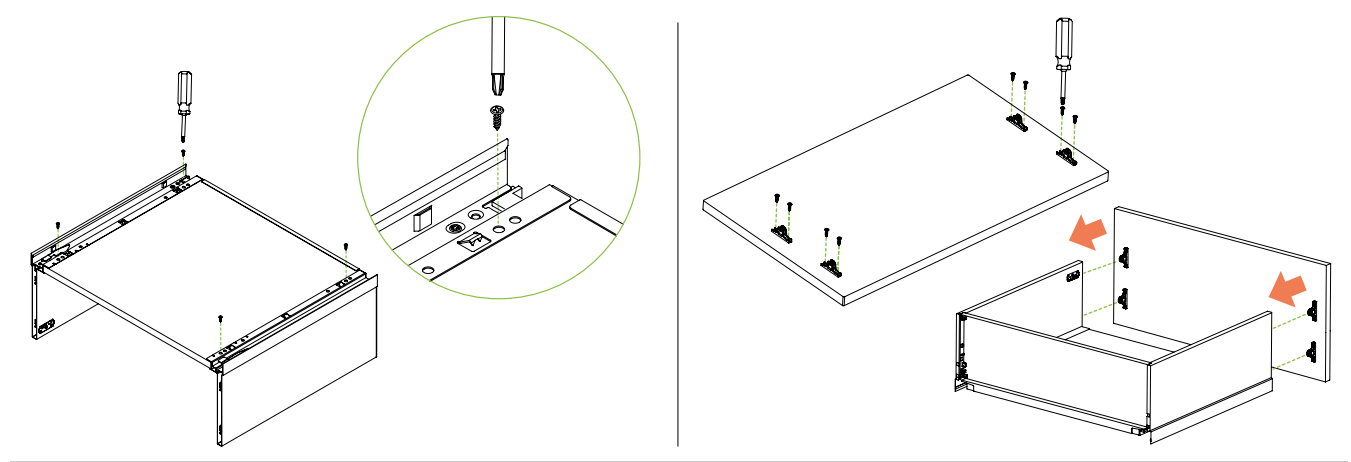
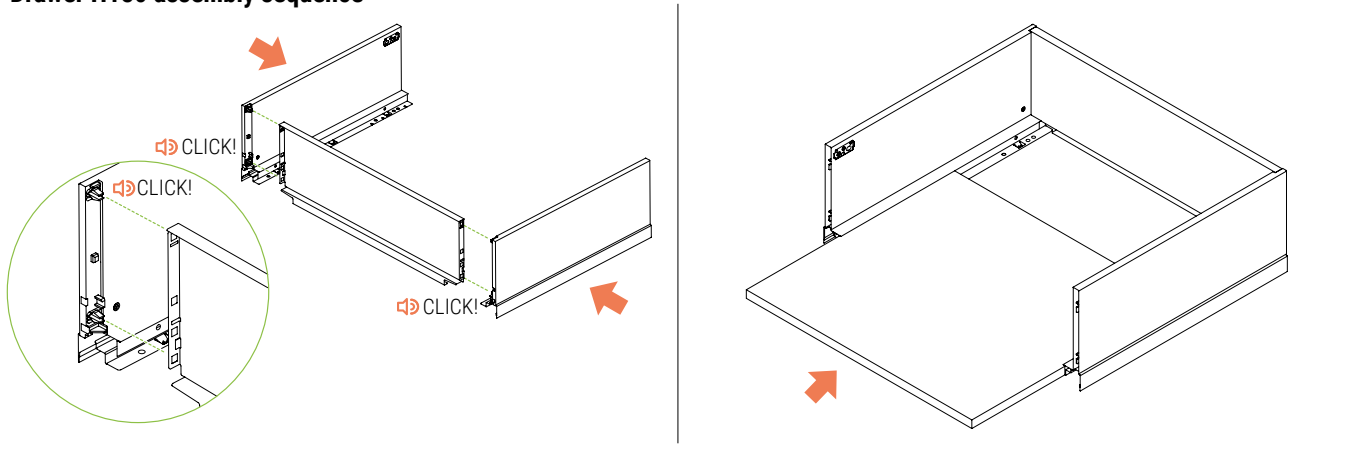


Drawer H90 assembly sequence

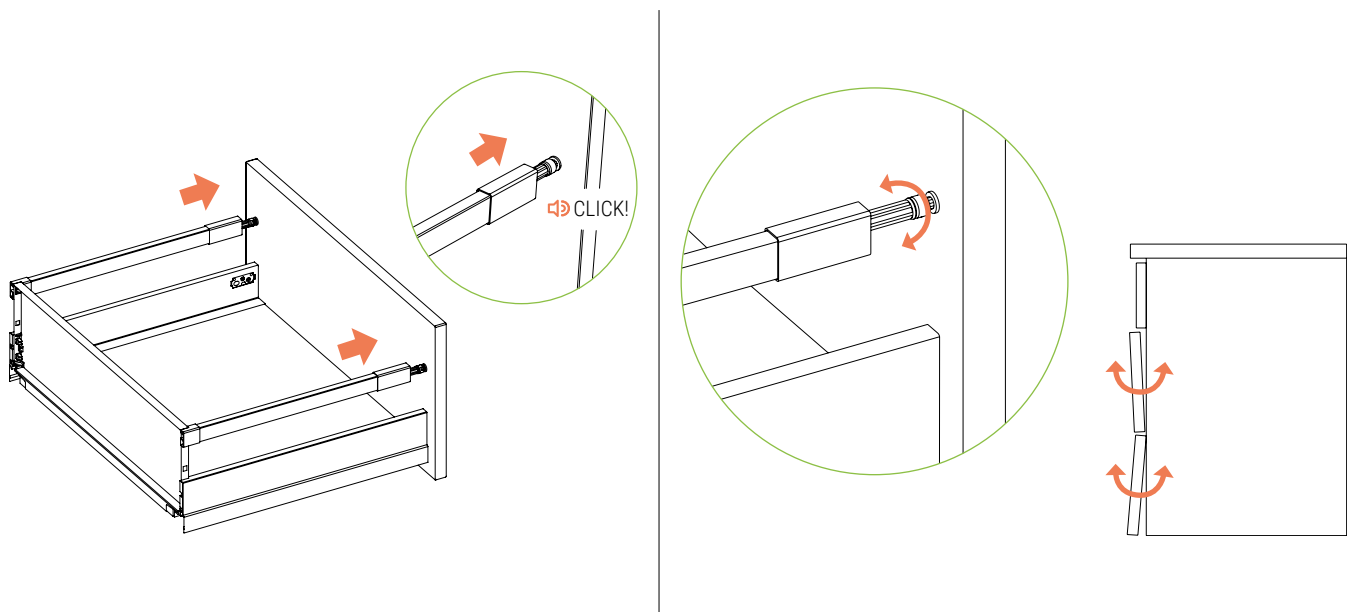
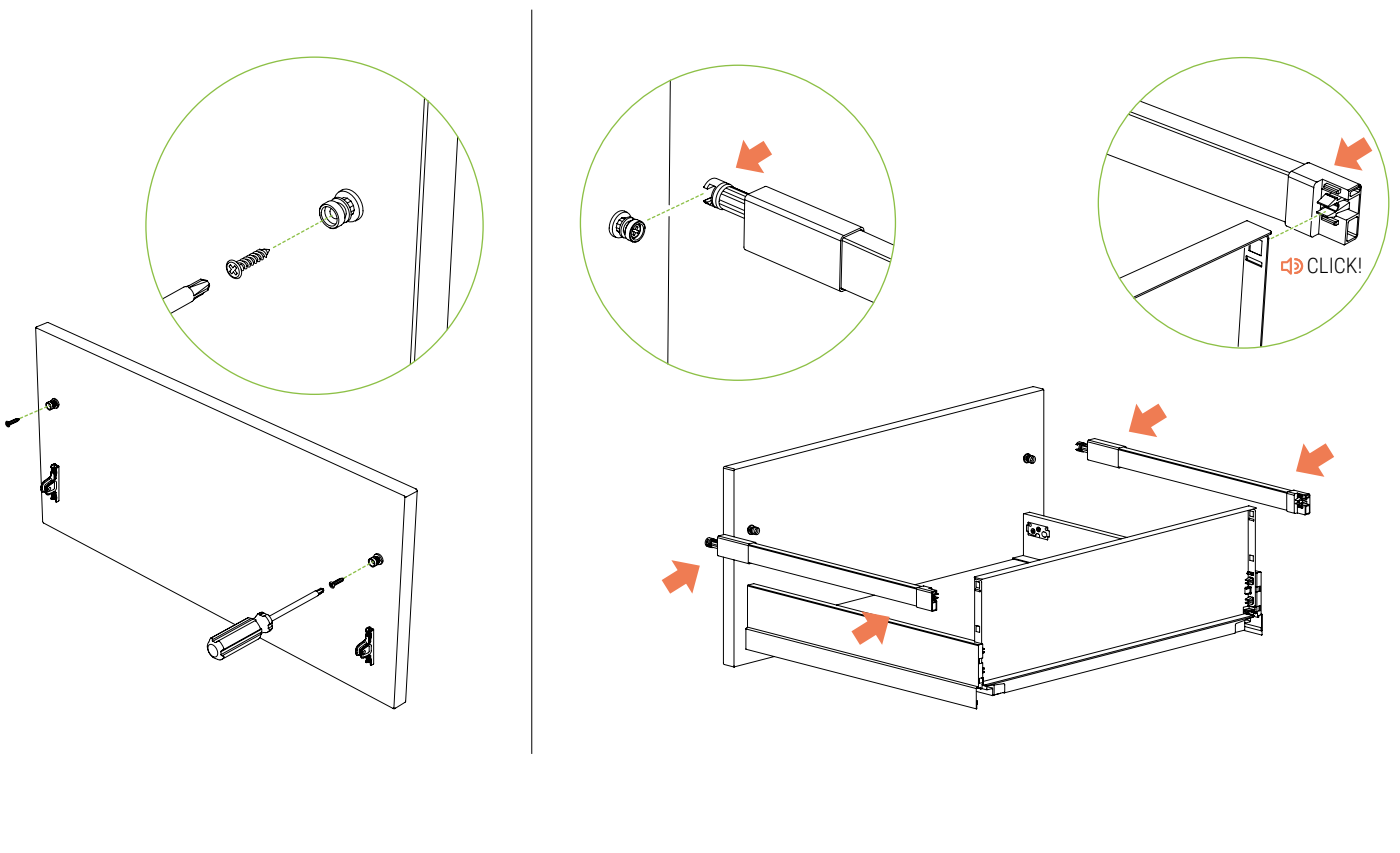


Instructions for use

Drawer H180 assembly sequence



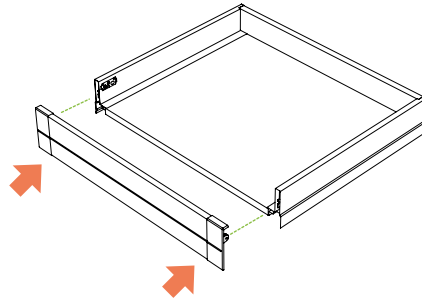
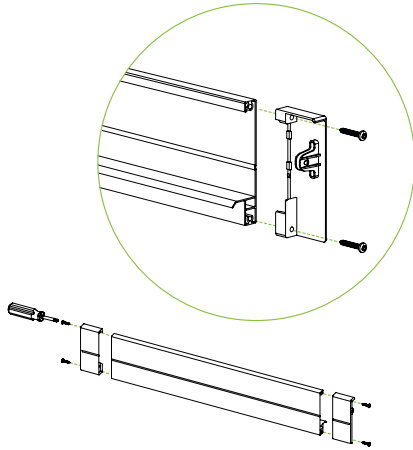
Rectangular railing assembly sequence



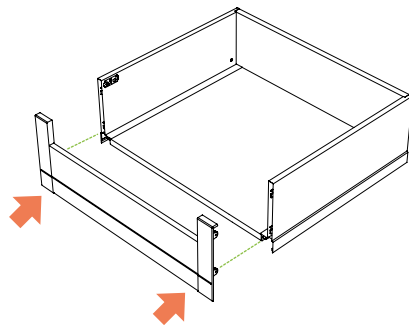
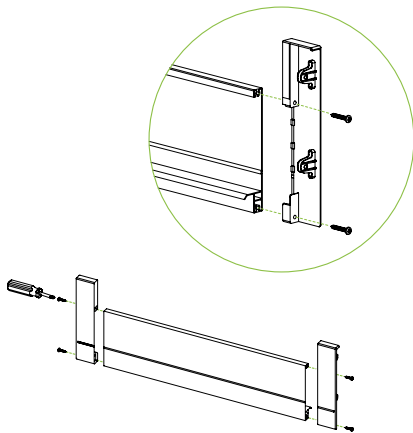
Instructions for use

IN internal drawer assembly sequence | Aluminium profile

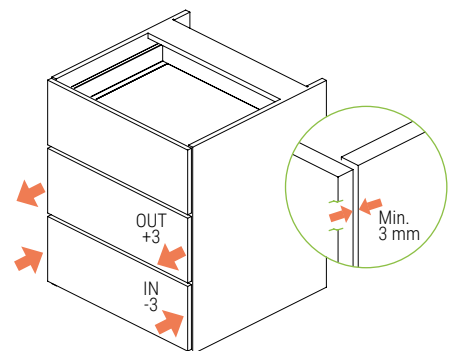
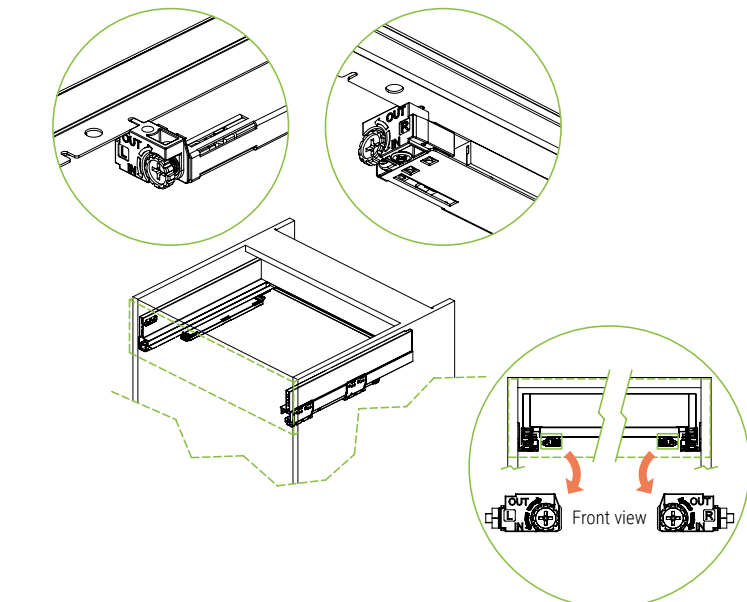
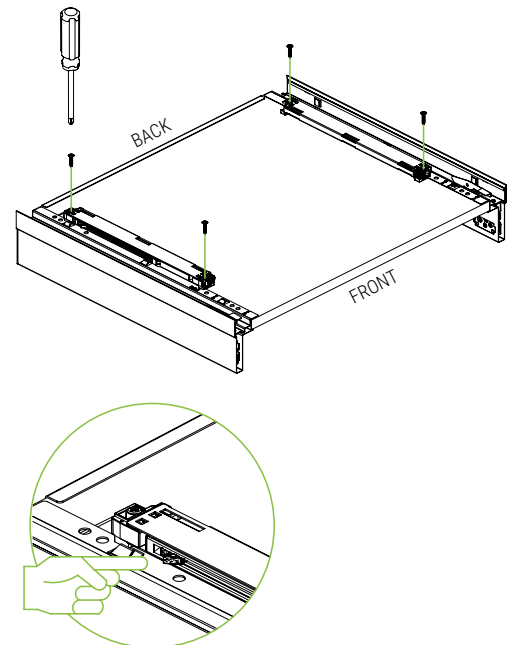
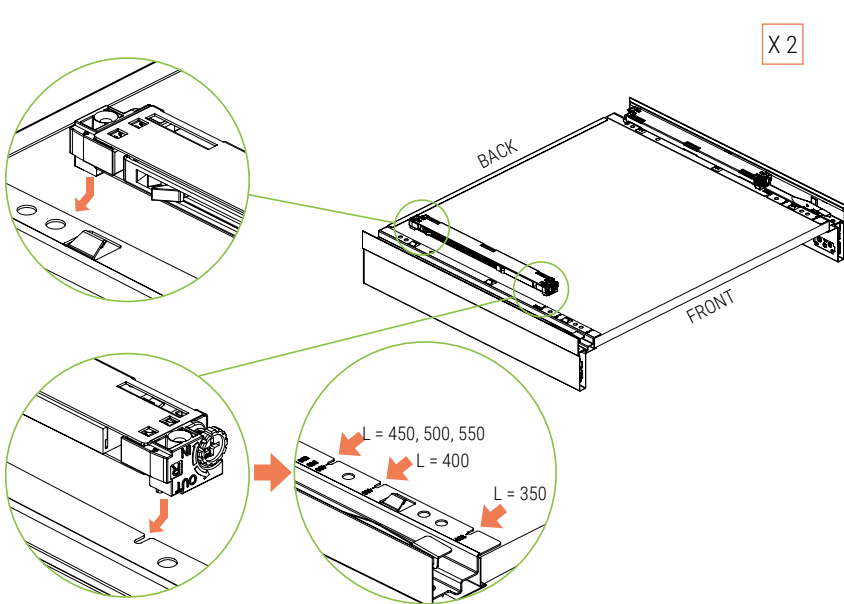
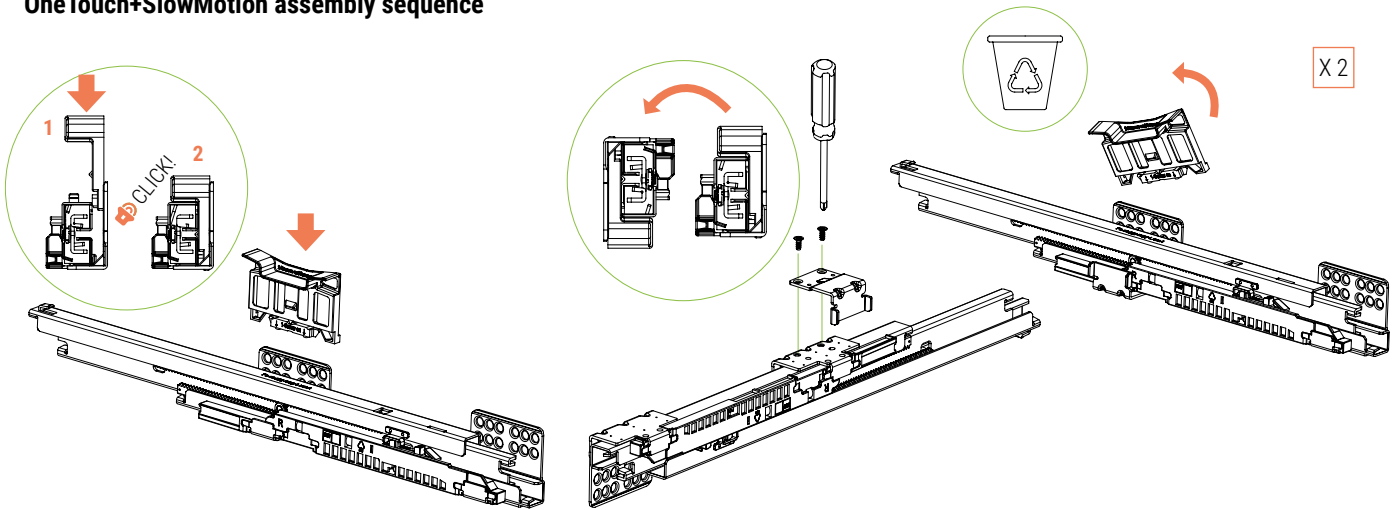
Drawer H90



Drawer H180



OneTouch+SlowMotion assembly sequence







MAC 10 MV manual assembly machine for Ten² drawers

- For H90, H120 and H180 Ten² drawers
- For lengths from 275 to 550 mm
- Adjustment of width from 300 to 1200 mm
- Manual operation: the machine keeps the drawer components in position to be fixed by the operator
- To be positioned on a worktop

Code	Description	PG
A9.TMAC.10.M.000A00	Mac 10 MV manual assembly machine for drawers	

CARLO
CASAGRANDE & CO



Administration, sales:

Hitsajankatu 24, 00810 Helsinki

tel. +358 (0)9 755131

firstname.surname@carlocasagrande.fi

Orders:

tilaukset@carlocasagrande.fi

www.carlocasagrande.fi

Stock:

Porlamintie 5

07810 Ingermaninkylä